



WPC100

Pasta Cooker/Rethermalizer



MAIN FEATURES

- Durable stainless steel construction
- 12.4L (13.1 qt.) maximum water capacity
- Stainless steel heating elements for easy cleaning
- Four small, round, ½ lb. baskets and two rectangular, 2 lb. baskets are included
- Reaches a rolling boil in under 20 minutes
- Cook up to 4 pounds of fresh or frozen pasta in minutes
- Drain and refill valves located in front for easy access
- Can be used as stand-alone or connected to plumbing
- Limited One Year Warranty

ELECTRICAL

Voltage: 208/240V

Frequency: 60Hz

Watts: 2700/3600

Plug Type: NEMA 6-20

Cord Length: 3 feet



SALES FEATURES

Cooking perfect pasta is easy with the Waring® Pasta Cooker/Rethermalizer. Make individual orders from al dente to soft using the 4 small, round baskets, or prepare batches by the pound with the large rectangular baskets. The refill and drain valves are easily accessible inside a panel on the front of the cooker, and there is an overflow water outlet on the back, so the unit can be used as stand-alone or plumbed in.



@waringcommercial

©2021 Waring Commercial
314 Ella T. Grasso Avenue, Torrington, CT 06790
Tel. 800-492-7464 • Fax 860-496-9008

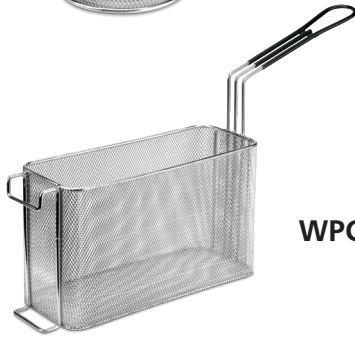
waringcommercialproducts.com



PARTS & ACCESSORIES



WPC100RB Round Basket



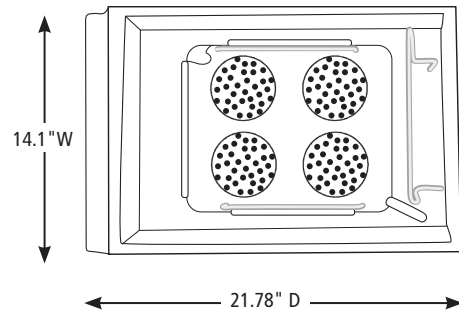
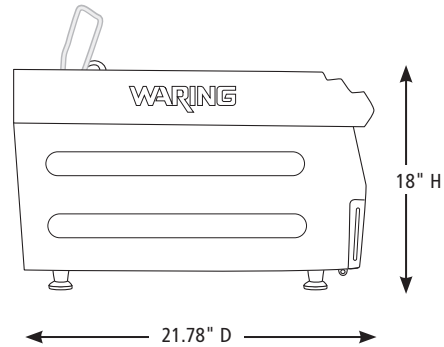
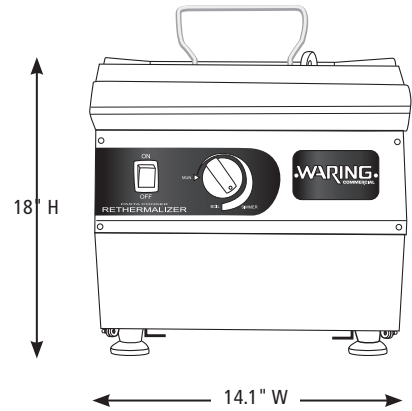
WPC100LB Large Basket

OPTIONAL



CAC157 Hose &
Hose Clamp

DIMENSIONS



Out of Box Weight: 33.1 lb.

ORDERING INFORMATION	#STD. PKG.	GIFTBOX WEIGHT	CUBIC FEET	BOX DIMENSIONS D X W X H	UPC	CASE PKG.	MC WEIGHT	MC DIMENSIONS D X W X H	MBC
WPC100 – Pasta Cooker Rethernalizer	1	51.1	6.9	18.5" x 26.5" x 24.5"	040072068607	1	53.3	19" x 27" x 25.5"	10040072068604



@waringcommercial

©2021 Waring Commercial
314 Ella T. Grasso Avenue, Torrington, CT 06790
Tel. 800-492-7464 • Fax 860-496-9008

waringcommercialproducts.com

21WC000000 / REV 08/21



COOK

DEDICATED TO DESIGN

When it comes to pasta, look to the Italians for inspiration!

Cook or Par-boil 4 pounds of fresh or frozen pasta in minutes. Prepare in bulk with the 2 large baskets or perfectly portion with the 4 round baskets for super quick service.

Full Stainless Steel construction inside and out - Manual or Auto Fill
(Plumbed in)

Stainless Steel Heating elements
heat to a rolling boil in
25 minutes or less and
pivot up for easy
cleaning and
maintenance of
elements/inner tank

12.4L (3.5 Gallon)
MAX Capacity

Drain and Refill Valves
located in the front
for easy access



@waringcommercial

waringcommercialproducts.com

©2021 Waring Commercial
314 Ella T. Grasso Avenue
Torrington, CT 06790
Tel. 800-492-7464
Fax 860-496-9008

21WC000000 - 8/21