



# MX1300XTS

## Reprogrammable Hi-Power Blender with 64 oz., Stainless Steel Container



\*Made in USA with US and foreign parts.

### ELECTRICAL

Voltage: 120

Frequency: 60Hz

Watts: 1560

Amps: 12.5

Plug Type: NEMA 5-15P

Cord Length: 6 feet



### MAIN FEATURES

- Heavy-duty, 3.5 peak HP, high-performance motor with 2 speed selections is the strongest in its class. It powers through the toughest ice and frozen fruit mixtures in seconds
- Super-high, 45,000 RPM motor speed for the smoothest consistencies
- 4 reprogrammable beverage settings for perfect results every time
  - Factory-set programs for the most popular beverage types
  - Easy to create your own customized programs—fully reprogrammable directly on the keyboard. No need for a USB or computer for programming
- Dual PULSE feature with reprogrammable speed control
- Easy-to-clean, electronic-membrane keypad
- Premium, stainless steel container with 64 oz. capacity and cloverleaf jar design creates a high-power vortex, funneling food directly into the blade. Unbreakable and dishwasher safe
- High-performance, high-impact, stainless steel blade is user replaceable for easy servicing
- User-replaceable, metal-on-metal, stainless steel coupling system for durability and reliability
- Easily removable container cover with removable clear cap lets you add ingredients and reduce pressure during hot food blending
- Optional sound enclosure easily retrofits to base for noise reduction
- Recommended for 75+ drinks per day
- Limited Three-Year Motor Warranty and Two-Year Parts and Labor Warranty

### SALES FEATURES

Get smooth, consistent results every time with the Waring® MX1300XTS. This heavy-duty, 3.5 HP blender teams up with The Raptor® blade and jar assembly for maximum power and efficiency. The sturdy base features an easy-to-clean, electronic-membrane keypad with blue backlit LCD screen and four reprogrammable beverage settings. Perfect for a busy bar, health facility, school or coffee shop.

Reprogrammable Hi-Power Blender with 64 oz., Stainless Steel Container

MX1300XTS



@waringcommercial

©2020 Waring Commercial  
314 Ella T. Grasso Avenue, Torrington, CT 06790  
Tel. 800-492-7464 • Fax 860-496-9008

waringcommercialproducts.com

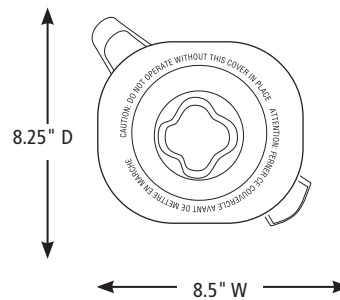
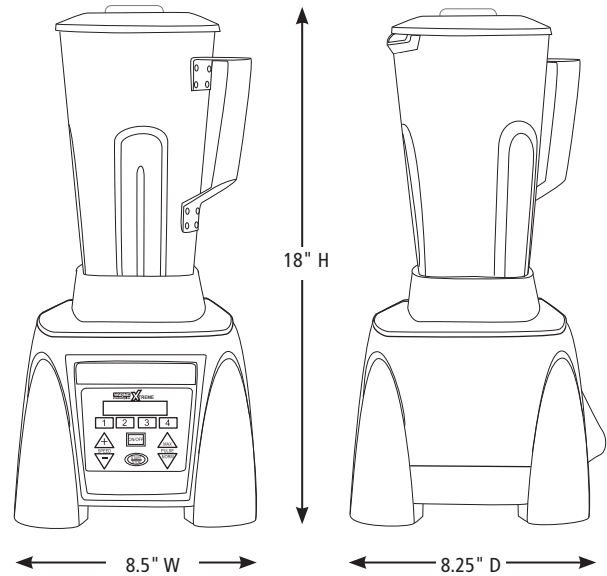


# Reprogrammable Hi-Power Blender with 64 oz., Stainless Steel Container MX1300XTS

## PARTS & ACCESSORIES

- |   |  |   |  |
|---|--|---|--|
|    | <b>CAC90</b><br>64 oz. Stainless Steel Container   |    | <b>CAC95-12</b><br>64 oz. Green Copolyester Container                      |
|    | <b>CAC93X</b><br>48 oz. Copolyester Container  |    | <b>CAC95-28</b><br>64 oz. Orange Copolyester Container                     |
|    | <b>CAC93X-03</b><br>48 oz. Yellow Copolyester Container  |    | <b>CAC116</b><br>Blending Assembly Kit and Retainer Ring Kit               |
|    | <b>CAC93X-06</b><br>48 oz. Blue Copolyester Container  |    | <b>CAC119</b><br>Retainer Ring Wrench                                      |
|    | <b>CAC93X-10</b><br>48 oz. Purple Copolyester Container  |    | <b>CAC158</b><br>Blending Assembly Kit                                     |
|    | <b>CAC93X-12</b><br>48 oz. Green Copolyester Container   |    | <b>CAC159</b><br>Retainer Ring Kit   |
|   | <b>CAC93X-28</b><br>48 oz. Orange Copolyester Container  |    | <b>CAC160</b><br>Drive Coupling  |
|  | <b>CAC95</b><br>The Raptor® – Aggressive, All-Purpose, Stackable, 64 oz., BPA-Free Copolyester Container |  | <b>CAC161</b><br>Drive Coupling Removal Tool                               |
|  | <b>CAC95-03</b><br>64 oz. Yellow Copolyester Container   |  | <b>CAC169</b><br>Spatula – Custom designed for use with MX Series Blenders |
|  | <b>CAC95-06</b><br>64 oz. Blue Copolyester Container   |  | <b>SE1000</b><br>Large Sound Enclosure                                     |
|  | <b>CAC95-10</b><br>64 oz. Purple Copolyester Container   |  | <b>SE500</b><br>Small Sound Enclosure                                      |

## DIMENSIONS



Out of Box Weight: 17 lb.

ORDERING INFORMATION	#STD. PKG.	GIFTBOX WEIGHT	CUBIC FEET	BOX DIMENSIONS D X W X H	UPC	CASE PKG.	MC WEIGHT	MC DIMENSIONS D X W X H	MBC
MX1300XTS– Reprogrammable Hi-Power Blender with 64 oz., Stainless Steel Container	1	18.15	1.037	11.375" x 10.250" x 15.375"	040072006852	1	19.1	11.875" x 10.875" x 16.375"	10040072006859



@waringcommercial

©2020 Waring Commercial  
314 Ella T. Grasso Avenue, Torrington, CT 06790  
Tel. 800-492-7464 • Fax 860-496-9008

waringcommercialproducts.com

20WC072682 / REV 02/20