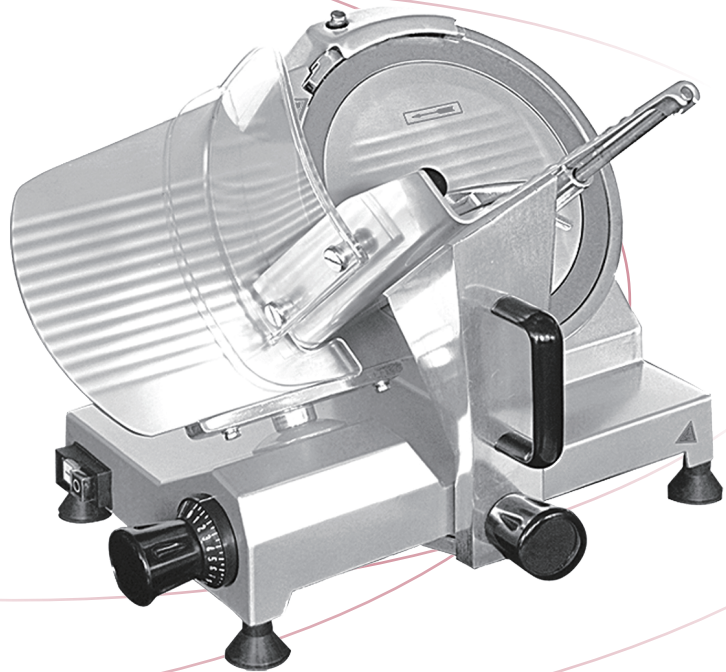


**efi** sales Ltd.

Equipment for the Foodservice Industry  
value + quality + service

## Meat Slicer - 12" Blade

SA-MSEC30



**SA-MSEC30**

**Features**

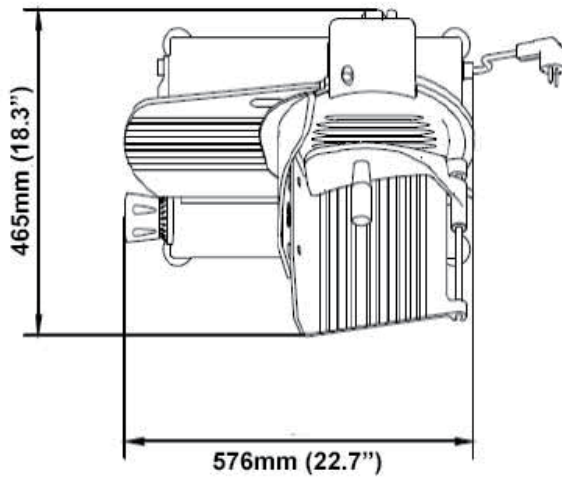
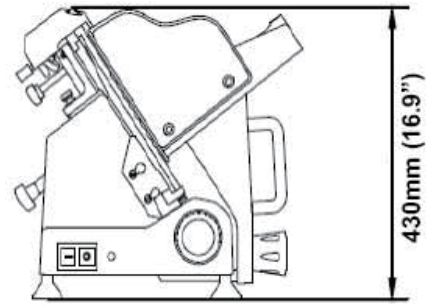
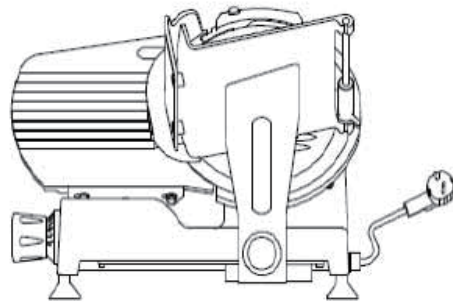
Features:

- Rugged body made from Cast Aluminum
- Ideal for slicing vegetables and processed meats
- 12 inch blade
- Slicing thickness 0.2 -15mm
- 40 slices per minutes
- 200mm maximum slice length



**SA-MSEC30**

**Specifications**



Model	Dimension (mm) (inch)			Diameter of blade (mm) (inch)	Voltage	Power	Net Weight (KG) (LBS)
	W	D	H				
SA-MSEC30	465	576	430	300	110/60	250 watts	22.2
	18.3	22.7	16.9	12			48.9

Equipped with one NEMA 5-15P plug 

**Shipping Information**

Crate Dimensions (mm) (inch)			Net Weight (KG) (LBS)	Gross Weight (KG) (LBS)
W	D	H		
525	610	510	22.2	24.3
20.7	24.0	20.1	48.9	53.6

Specifications subject to change without notice.