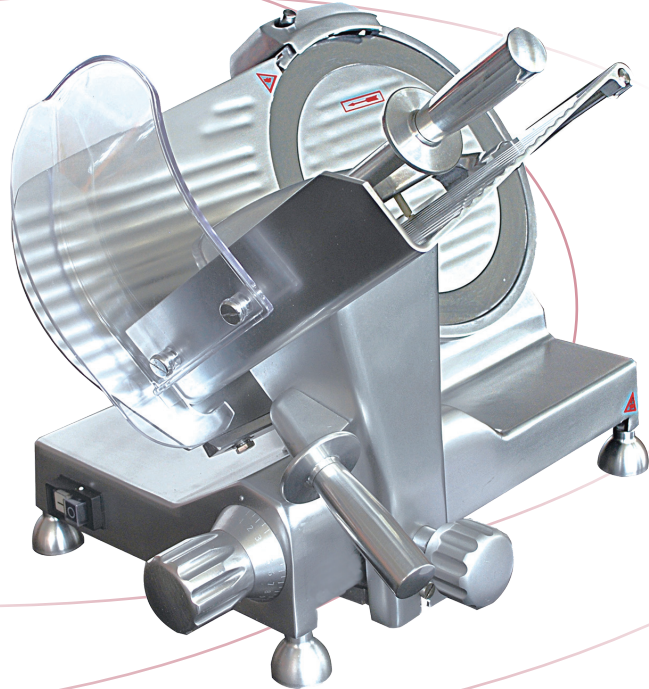


**efi** sales Ltd.

Equipment for the Foodservice Industry  
value + quality + service

## Deluxe Meat Slicer - 12" Blade

SA-MSDX30



**SA-MSDX30**

**Features**

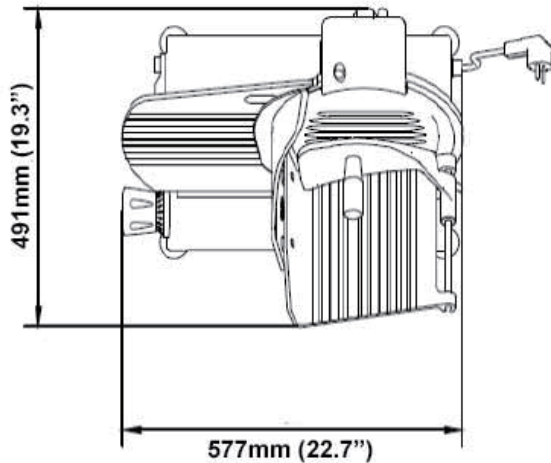
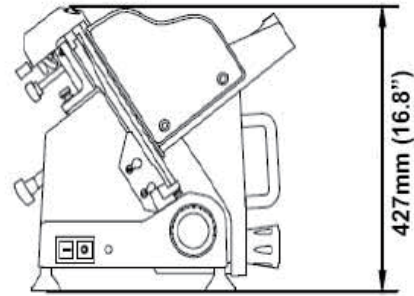
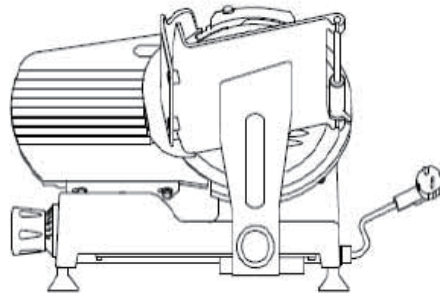
Features:

- Rugged body made from Cast Aluminum
- Ideal for slicing vegetables and processed meats
- 12 inch blade
- Slicing thickness 0.2 -15mm
- 40 slices per minutes
- 200mm maximum slice length



**SA-MSDX30**

**Specifications**



Model	Dimension (mm) (inch)			Diameter of blade (mm) (inch)	Voltage	Power	Net Weight (KG) (LBS)
	W	D	H				
SA-MSDX30	491	577	427	300	110/60	250 watts	22.5
	19.3	22.7	16.8	12			49.6

Equipped with one NEMA 5-15P plug 

**Shipping Information**

Crate Dimensions (mm) (inch)			Net Weight (KG) (LBS)	Gross Weight (KG) (LBS)
W	D	H		
535	615	505	22.5	25.5
21.1	24.2	19.9	49.6	56.2

Specifications subject to change without notice.