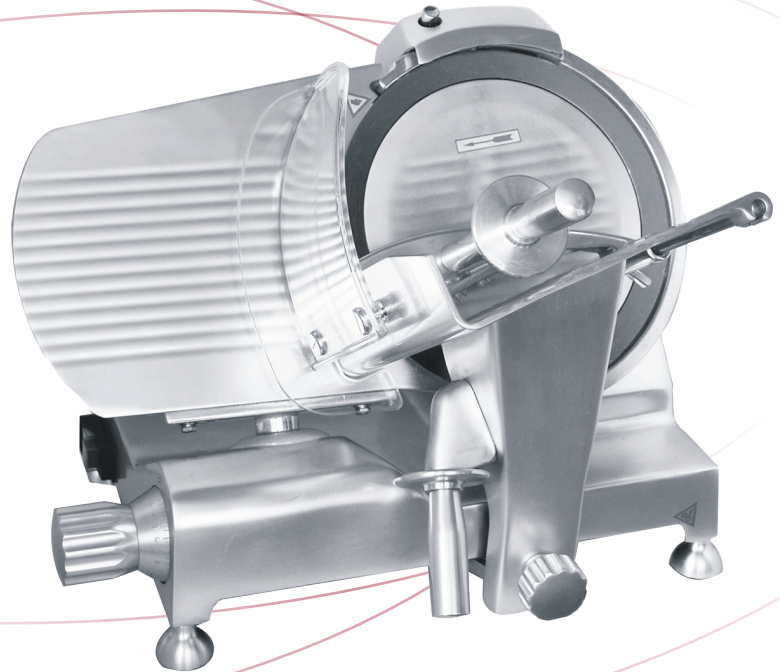


efi sales Ltd.

Equipment for the Foodservice Industry
value + quality + service

Deluxe Meat Slicer - 10" Blade

SA-MSDX25



SA-MSDX25

Features

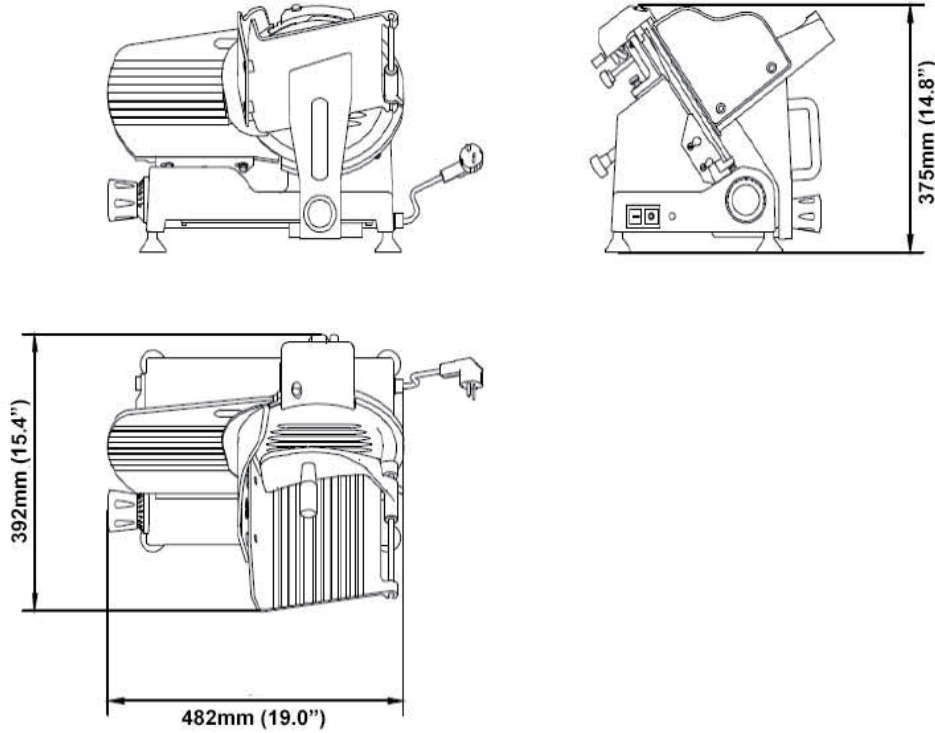
Features:

- Rugged body made from Cast Aluminum
- Ideal for slicing vegetables and processed meats
- 10 inch blade
- Slicing thickness 0.2 -12mm
- 40 slices per minutes
- 160mm maximum slice length



SA-MSDX25

Specifications



Model	Dimension (mm) (inch)			Diameter of blade (mm) (inch)	Voltage	Power	Net Weight (KG) (LBS)
	W	D	H				
SA-MSDX25	392	482	375	250	110/60	150 watts	16.3
	15.4	19	14.8	10			35.9

Equipped with one NEMA 5-15P plug 

Shipping Information

Crate Dimensions (mm) (inch)			Net Weight (KG) (LBS)	Gross Weight (KG) (LBS)
W	D	H		
465	575	415	16.3	18.8
18.3	22.6	11.7	35.9	44.5

Specifications subject to change without notice.