

efi sales Ltd.

Equipment for the Foodservice Industry
value + quality + service

Wok Ranges

RCTWR-16



RCTWR-16

Features

Features:

- Durable stainless steel structure that is corrosion resistant and easy to clean
- Simple and robust structure, easy to manipulate and maintain
- Heavy duty jet burner with one adjustable valve
- Burner is equipped with a continuous pilot for instant ignition

- Roll front is easy to load and reduces spill over
- Heavy duty power coated steel wok attachment is both durable and easy to clean
- Chrome plated 10" legs with adjustable feet

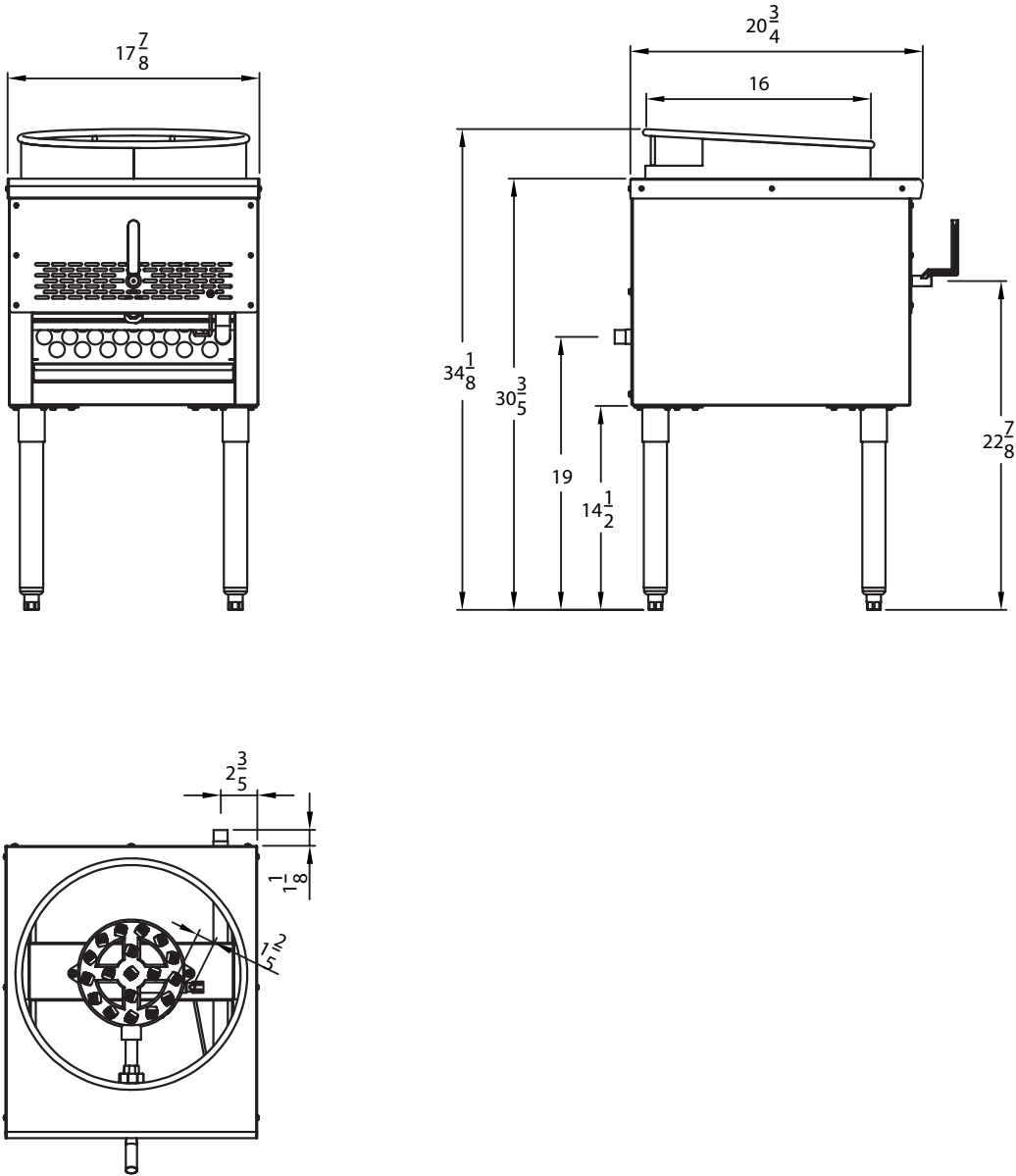
Warranty:

- One year limited warranty parts and labour
- Specifications subject to change without notice



RCTWR-16

Specifications



Model	Burners	Ignition	Gas type	Intake-tube pressure (in.W.C.)	Per BTU B.T.U./h	Total BTU B.T.U./h	Nozzle No.	Net weight (LBS) rock
RCTWR-16-N	1	Manual	NG	5	110,000	110,000	#55	78.5
RCTWR-16-P			LP	10	110,000	110,000	#65	