

efi sales Ltd.

Equipment for the Foodservice Industry
value + quality + service

Hot Plates

RCTHP-12-2



RCTHP-12-2

Features

Features:

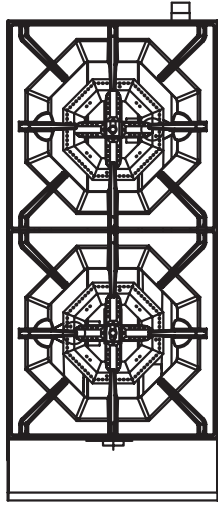
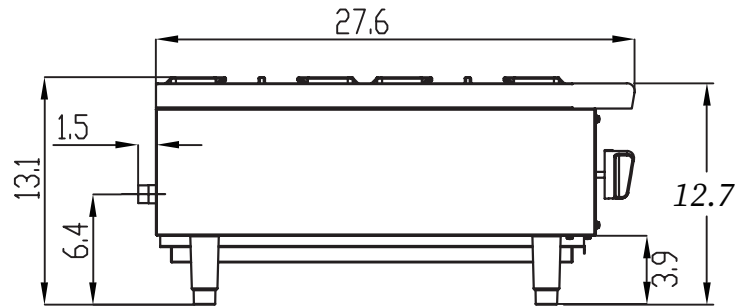
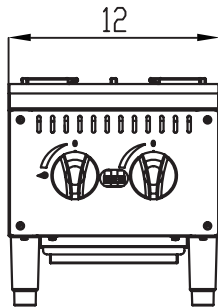
- Durable stainless steel structure that is corrosion resistant and easy to clean
- Simple and robust structure, easy to manipulate and maintain
- Highly efficient stainless steel burner
- Independent manual controls to save energy

- Available in natural gas & propane
- Adjustable stainless steel legs included

Warranty:

- One year limited warranty parts and labour



RCTHP-12-2**Specifications**

Model	Burners	Ignition	Gas type	Intake-tube pressure (in.W.C.)	Per BTU B.T.U./h	Total BTU B.T.U./h	Nozzle No.	Net weight (LBS)
RCTHP-12-2-N	2	Manual	NG	4	25,000	50,000	#43	55.1
RCTHP-12-2-P			LP	10	25,000	50,000	#53	

Specifications subject to change without notice.