

# Pasta Cooker

## MODELS:

PCG9-LP / PCG9-NG / PCG18-LP / PCG18-NG

### Standard Features

- Stainless Steel Exterior/Interior
- Single & Double Tank Models
- Two Baskets Standard Per Tank

### Optional Accessories

- 1/3 basket and 1/6 basket
- Rack 1 and rack 2 for reheating packaged food (Rethermalizer kit)
- Add-on lid
- Solid cover plate without holes



**PCG9-LP / PCG9-NG**



**PCG18-LP / PCG18-NG**

Part Name	Part Number	PCG-9 (NG/LP)	PCG-18(NG/LP)
1/3 Basket	R06018000023	2	3
1/6 Basket Left	R06018000024	1	3
1/6 Basket Right	R06018000025	1	3
Rack 1 - Five Compartment Divider	R06018000086	N/A	N/A
Rack 2 - Front/Rear Divider	R06018000087	N/A	N/A
Add-on Lid Left	G10040420010	N/A	N/A
Add-on Lid Right	G10040420011	N/A	N/A



**1 YEAR PARTS AND LABOR WARRANTY**



Conforms to ANSI  
STD Z83.11-2009 (2011)  
Certified to CSA  
STD 1.8B-2009 (2011)  
Conforms to NSF/ANSI STD.4



REV. 05/26

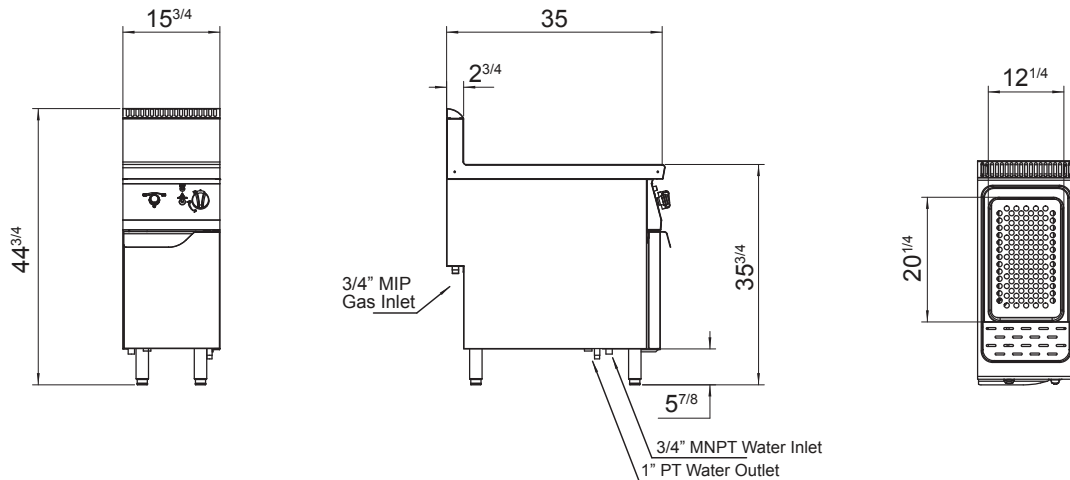
**“WE MAKE THE KITCHEN BETTER!”**

**SPECIFICATIONS**

Model	Gas Type	Number of Burner	Power per Burner B.T.U./hr	Total Power B.T.U./hr	Regulator	Connect Size (in)	Cooking Area Weight (Gal)	Cooking Area Volume (L)	Exterior Dimensions (inch)	Net Weight (lb)	Gross Weight (lb)
PCG9-LP	LP	1	46000	46000	4" w.c.	3/4	9	35	15 <sup>3/4</sup> × 35 <sup>3/7</sup> × 44 <sup>7/8</sup>	121	195.8
PCG9-NG	NG	1	46000	46000	10" w.c.	3/4	9	35	15 <sup>3/4</sup> × 35 <sup>3/7</sup> × 44 <sup>7/8</sup>	121	195.8
PCG18-LP	LP	2	46000	92000	4" w.c.	3/4	(2)9	(2)35	31 <sup>1/2</sup> × 35 <sup>3/7</sup> × 44 <sup>7/8</sup>	217.8	336.6
PCG18-NG	NG	2	46000	92000	10" w.c.	3/4	(2)9	(2)35	31 <sup>1/2</sup> × 35 <sup>3/7</sup> × 44 <sup>7/8</sup>	217.8	336.6

**PLAN VIEW**

**PCG9-LP / PCG9-NG**



**PCG18-LP / PCG18-NG**

