



"WE MAKE THE KITCHEN BETTER!"

ATOSA USA, INC.

Toll Free: 855-855-0399 Email: info@atosausa.com

www.atosa.com | www.atosausa.com

California, Colorado, Florida, Georgia, Illinois,
New Jersey, Ohio, Texas, Washington

Top Mount Pass-Thru Glass-door Refrigerators

MODELS:
PLUS-R1-GS-R-PT / PLUS-R1-GS-L-PT
PLUS-R2-GS-S-PT / PLUS-F2B-GD-S-PT

Standard Features

- Stainless steel / black exterior
- Stainless steel interior
- Door configuration:
PLUS-F2B-GD-S-PT: front & rear glass doors
All other models: front glass door(s) with solid rear door(s)
- LED interior lights
- Heavy duty Cubigel compressor with environmentally friendly R290 refrigerant
- Full Electronic Controller
- Temperature range:
PLUS-F2B-GD-S-PT: 23°F – 38°F
All other models: 35°F – 38°F
- Self-closing door(s) with automatic stay open feature
- Magnetic door gasket
- Double pane glass door
- Down-duct air flow channel to ensure even distribution of air
- Door locks standard
- Pre-installed casters
- Pre-installed shelf clips
- NEMA 5-15 plug standard
- Four (4) shelves per section



PLUS-R1-GS-R-PT



PLUS-R1-GS-L-PT



PLUS-R2-GS-S-PT



PLUS-F2B-GD-S-PT

For the best results of food preservation we recommend setting your refrigerator between 35°F to 38 °F

1. Don't forget to leave the unit some room to breathe!
2. Please clean the condenser frequently to give the unit more fresh air.



2 YEAR PARTS AND LABOR WARRANTY
5 YEAR COMPRESSOR PART WARRANTY





"WE MAKE THE KITCHEN BETTER!"

ATOSA USA, INC.

Toll Free: 855-855-0399 Email: info@atosausa.com

www.atosa.com | www.atosausa.com

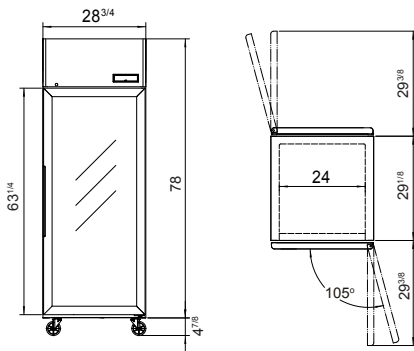
California, Colorado, Florida, Georgia, Illinois,
New Jersey, Ohio, Texas, Washington

SPECIFICATIONS

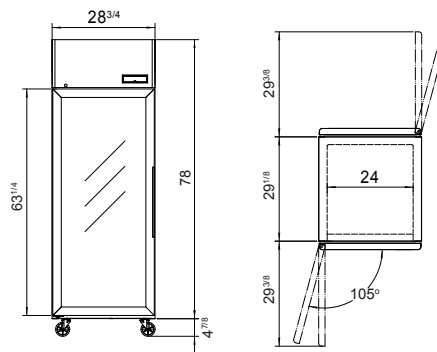
Models	Door	Capacity (Cu.Ft.)	Shelves	Casters (inch)	Rated Current (A)	Voltage (V/Hz/Ph)	HP	Refrigerant	Exterior Dimensions (inch)	Net Weight (lb)	Gross Weight (lb)
PLUS-R1-GS-R-PT	2	23.7	4	4	3.7	115/60/1	1/3	R290	28 ^{3/4} ×33 ^{7/8} ×82 ^{7/8}	313	357
PLUS-R1-GS-L-PT	2	23.7	4	4	3.7	115/60/1	1/3	R290	28 ^{3/4} ×33 ^{7/8} ×82 ^{7/8}	313	357
PLUS-R2-GS-S-PT	4	46.3	8	4	4.5	115/60/1	1/2	R290	51 ^{3/4} ×33 ^{7/8} ×82 ^{7/8}	518	586
PLUS-F2B-GD-S-PT	4	46.3	8	4	4.5	115/60/1	1/2	R290	51 ^{3/4} ×33 ^{7/8} ×82 ^{7/8}	538	606

PLAN VIEW

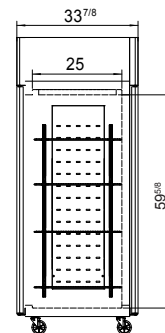
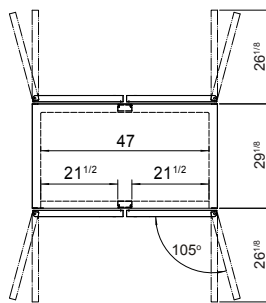
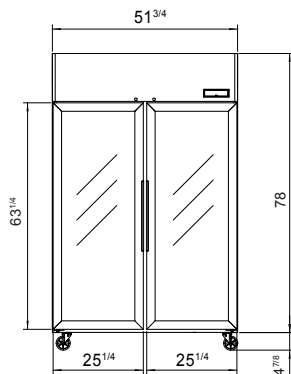
PLUS-R1-GS-R-PT



PLUS-R1-GS-L-PT



PLUS-R2-GS-S-PT / PLUS-F2B-GD-S-PT



Interior Dimensions

Casters



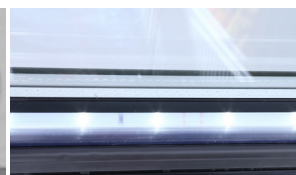
Temperature control



Door lock



LED lights



Epoxy shelves



NEMA 5-15P

