

# NPT-72SA-6D



## REFRIGERATED SALAD/SANDWICH PREP TABLE

Ideal for restaurants, cafeterias & food processing spaces



### FEATURES

Stainless steel interior and exterior

Rear digital controller

Back mounted compressor

Clear plastic 1/6 pans included



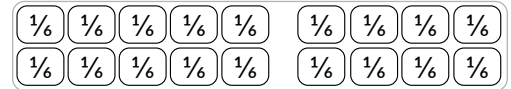
14.5" deep cutting board



# SPECIFICATIONS

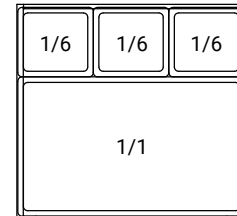
Capacity (Cu. ft)	17.58
Capacity (Liters)	497.81 L
Exterior Dimensions (in)	72 1/2" x 33 1/8" x 45 3/4"
Package Dimensions (in)	76 3/4" x 35 7/8" x 48 3/8"
Net Weight (kg/lbs)	154.7 kg / 341 lbs
Drawers	6
Temperature Range (°C)	0.5 TO 5°C
Ambiant Temperature	25°C
Ambiant Humidity	55%
Refrigerant (CFC-Free)	R290
Amperage (A)	3.4 A
Voltage (V)	115V / 60Hz
Plug Type	NEMA 5-15P

## Countertop storage

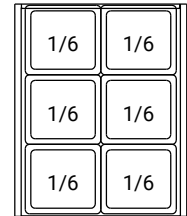


18 x 1/6 Pans

## Top Drawers

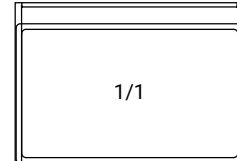


Left/Middle

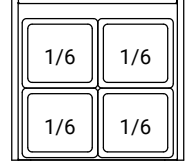


Right

## Bottom Drawer



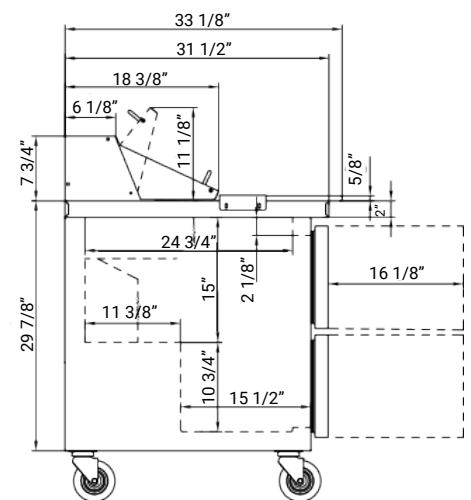
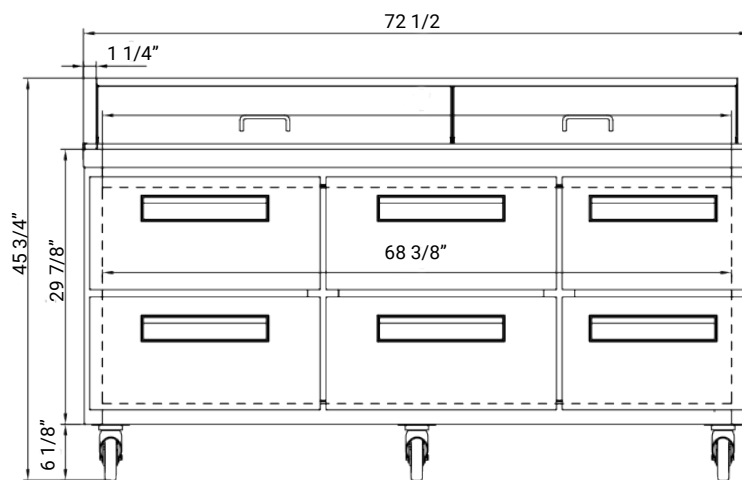
Left/Middle



Right



NEMA 5-15P



**NEW AIR**

\*Design and specifications may change without prior notice for product improvement

CUSTOMER SUPPORT



1-800-567-3620



NEWAIRREFRIGERATION.CA

