

NPT-048-MSA

REFRIGERATED SALAD MEGA TOP PREP TABLES

Ideal for restaurants, cafeterias & food processing spaces



FEATURES

Clear plastic 1/6 pans included



14.5" deep cutting board included



Higher resistance to dust, high quality condenser

Self-closing door at 60° with stay open feature

Stainless steel interior & exterior, sealed interior floors

Adjustable heavy duty shelves



Back mounted compressor

Digital controller with on/off switch

Comes on casters

Insulated lid

PAN CAPACITY

1/6	1/6	1/6	1/6	1/6	1/6
1/6	1/6	1/6	1/6	1/6	1/6
1/6	1/6	1/6	1/6	1/6	1/6

OPTIONAL FEATURE



Additional shelves

SPECIFICATIONS

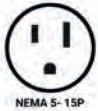
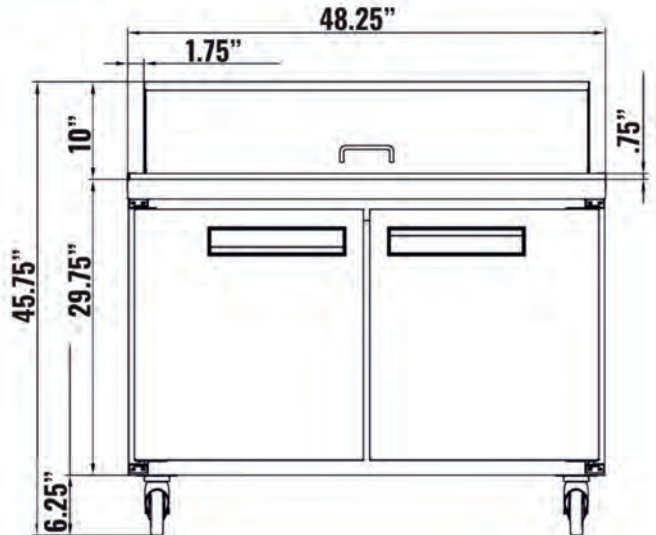
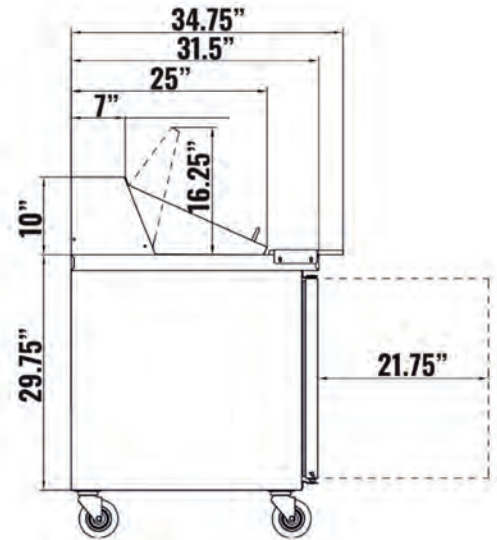
*Cutting board not included in measurements

Capacity (Cu. ft)	11.47
Capacity (Liters)	324.79
Exterior Dimensions (in)	48.25" (w) x 31.5" (d) x 45.75" (h)
Interior Dimensions (in)	44" (w) x 20" (d) x 23" (h)
Packaging Dimensions (in)	52.5" (w) x 35.75" (d) x 48.5" (h)
Net Weight (lbs)	231
Doors	2
Adjustable Shelves	2
Pan Capacity	18 x pans 1/6 (6" deep)
Casters	4
Temperature (°C)	(0°C) - (5°C)
Ambiant Humidity	≤ 55%
Ambiant Temperature	≤ 30°C
Refrigerant (CFC-free)	R290
Voltage (V)	115V/60Hz
Amperage (A)	2.4
Input Power (W)	280W
Plug Type	NEMA 5-15P



DOUBLE OVERSHELF WITH ADJUSTABLE MIDDLE SHELF

Double overshelf can be used with all prep tables
Product code: TDOS-XX-SS



NEMA 5-15P



Intertek



*Design and specifications can change without prior notice for product improvement

CUSTOMER SUPPORT



1-800-567-3620



NEWAIRREFRIGERATION.CA

