

NPT-029-MSA

REFRIGERATED SALAD MEGA TOP PREP TABLES

Ideal for restaurants, cafeterias & food processing spaces

NEW AIR
REFRIGERATION



FEATURES

Clear plastic 1/6 pans included



14.5" deep cutting board included



Higher resistance to dust, high quality condenser

Self-closing door at 60° with stay open feature

Stainless steel interior & exterior, sealed interior floors

Adjustable heavy duty shelves



Back mounted compressor

Digital controller with on/off switch

Comes on casters

Insulated lid

PAN CAPACITY

1/6	1/6	1/6	1/6
1/6	1/6	1/6	1/6
1/6	1/6	1/6	1/6

OPTIONAL FEATURE

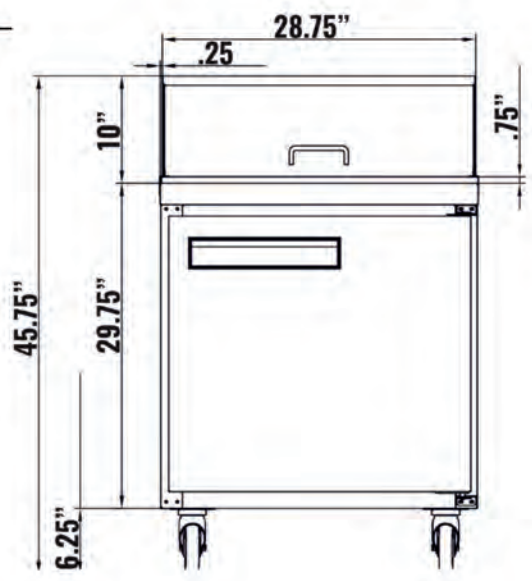
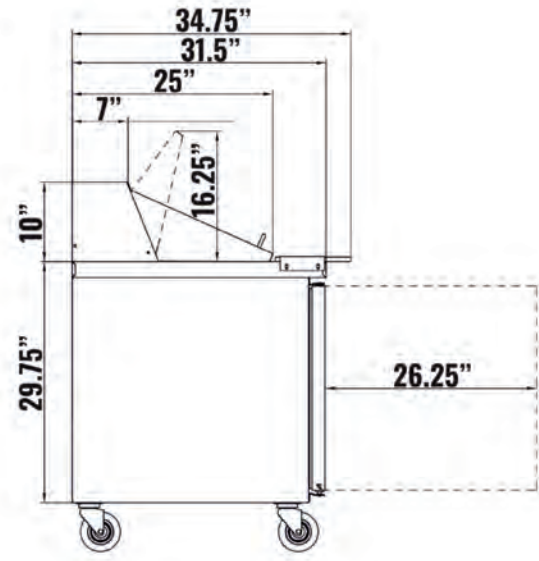


Additional shelves

SPECIFICATIONS





*Cutting board not included in measurements

Capacity (Cu. ft)	6.56
Capacity (Liters)	185.75
Exterior Dimensions (in)	29" (w) x 31.5" (d) x 45.75" (h)
Interior Dimensions (in)	25" (w) x 20" (d) x 23" (h)
Packaging Dimensions (in)	52.5" (w) x 35.75" (d) x 48.25" (h)
Net Weight (lbs)	202
Doors	1
Adjustable Shelves	1
Pan Capacity	12 x pans 1/6 (6" deep)
Casters	4
Temperature (°C)	(0°C) - (5°C)
Ambiant Humidity	≤ 55%
Ambiant Temperature	≤ 30°C
Refrigerant (CFC-free)	R290
Voltage (V)	115V/60Hz
Amperage (A)	2.0
Input Power (W)	225W
Plug Type	NEMA 5-15P



CUSTOMER SUPPORT



 [1-800-567-3620](tel:1-800-567-3620)
 NEWAIRREFRIGERATION.CA
 



*Design and specifications can change without prior notice for product improvement