

PREMIUM SERIES

# NOM-36-LSB

## GRAB 'N GO OPEN MERCHANDISER

Ideal for restaurants, cafés, convenience stores and supermarkets

**NEW AIR**  
REFRIGERATION



### FEATURES

Standard pull-down night curtain



Double tempered glass

4 staging shelves



Stainless-steel black-brushed exterior

Cool tone LED lighting



Front-facing condenser with  
easy-to-clean filter



Magnetized front panel for quick  
removal

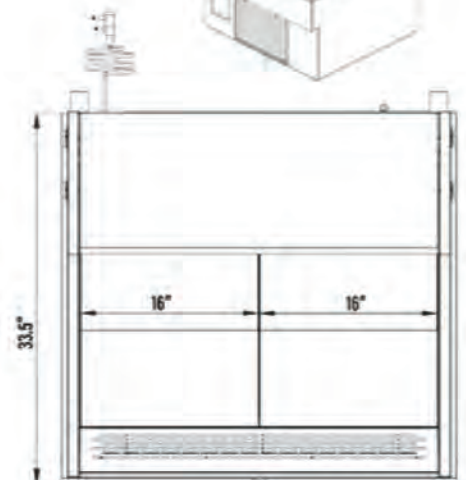
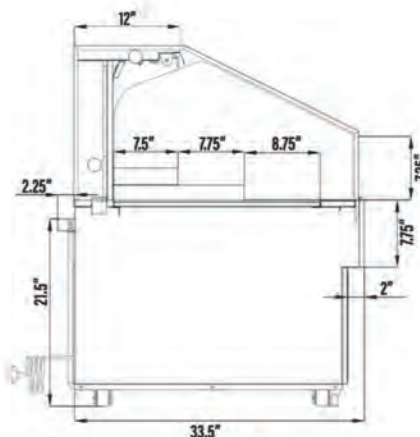
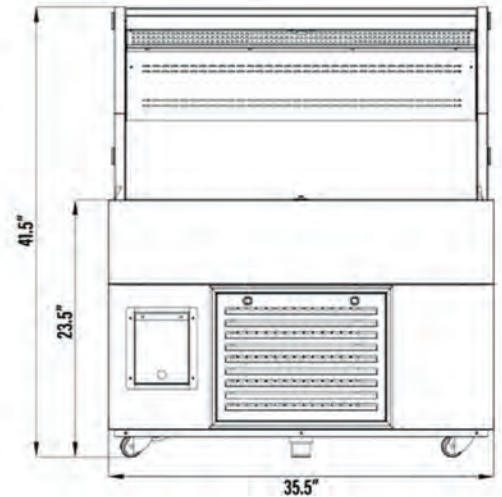
- ✓ Front to rear ventilation with back stoppers for better air circulation
- ✓ Anti-corrosion coated evaporator
- ✓ 4 heavy duty casters with 1 front leg
- ✓ Auto-defrost system
- ✓ Drain pan heating element for condensation evaporation

Digital temperature control with  
separate light switch



# SPECIFICATIONS

Capacity (Cu. ft)	5.08
Capacity (Litres)	144
Exterior Unit Dimensions (in)	35.5" (w) x 35.75" (d) x 41.5" (h)
Interior Dimensions (in)	32.25" (w) x 28" (d) x 16" (h)
Packaging Dimensions (in)	37.5" (w) x 39" (d) x 45" (h)
Net/Gross Weight (lbs)	289/375
Night Curtain	Yes
Casters	4
Front Support Leg	1
Shelves	4 staging shelves
Shelf Dimensions (in)	2 X 16" (w) x 15" (d) 2 X 16" (w) x 7.5" (d)
Temperature	(2°C) - (5°C)
Ambiant Temperature	<24°C
Ambiant Humidity	<55%
Refrigerant (CFC-Free)	R290
Voltage	115V/60Hz/1PH
Amperage	7.8
Plug Type	NEMA 5-15P



NEMA 5-15P



Intertek



CUSTOMER SUPPORT

**NEW AIR**

\*Design and specifications can change without prior notice for product improvement



1-800-567-3620



NEWAIRREFRIGERATION.CA

