

# NIF-80-CG

## CURVED GLASS ISLAND DISPLAY FREEZER

Ideal for convenience stores, ice cream shops & supermarkets



### FEATURES

Aluminum interior & epoxy-coated wire baskets



Sliding curved anti-fog glass doors



Casters

Front temperature display and thermostat



Interior LED lighting

Manuel defrost

Built-in lock



Digital controller

Front bumper



x6

# SPECIFICATIONS

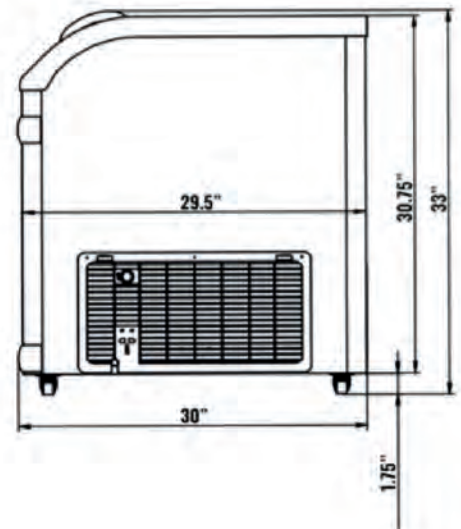
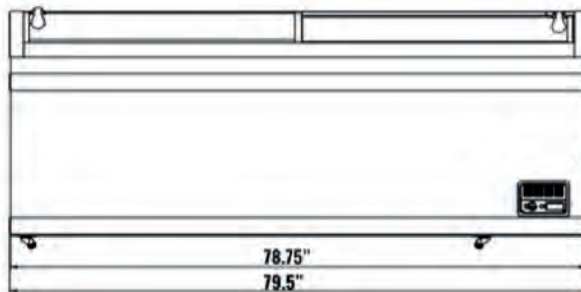
Capacity (Cu. ft)	24.2
Capacity (Liters)	700
Exterior Dimensions (in)	79.5" (w) x 30" (d) x 33" (h)
Interior Dimensions (in)	74" (w) x 24" (d) x 23" (h)
Packaging Dimensions (in)	83" (w) x 34" (d) x 39" (h)
Net Weight (lbs)	333
Baskets	6
Basket Dimensions (in) (in)	12" (w) x 23.25" (d) x 6.5" (h)
Casters	6
Temperature (°C)	(-18°C) to (-22°C)
Refrigerant (CFC-Free)	R290
Input Power (W)	437
Amperage (A)	3.8
Voltage (V)	115V/60Hz
Plug Type	NEMA 5-15P



NEMA 5-15P



Intertek



**NEW AIR**

\*Design and specifications can change without prior notice for product improvement

CUSTOMER SUPPORT



1-800-567-3620



NEWAIRREFRIGERATION.CA

