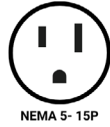


# NCF-20-HB

## COUNTERTOP DISPLAY FREEZER

Ideal for convenience stores, grocery stores and cafés

# NEW AIR



NEMA 5-15P



Intertek



## FEATURES

Tempered glass door

Manual defrost

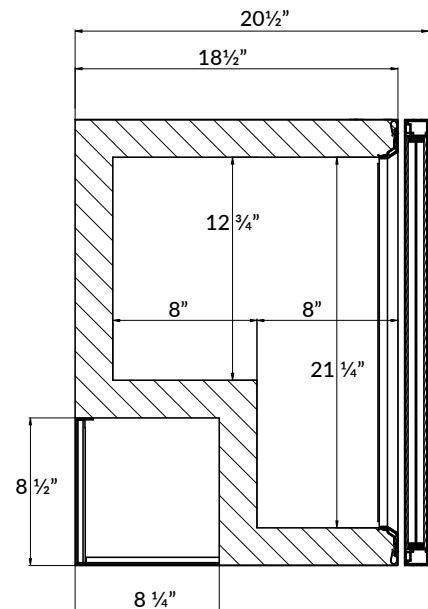
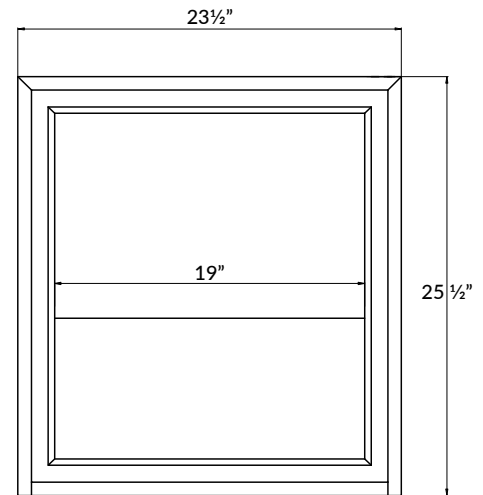
LED interior lighting

Aluminum interior

Adjustable PVC shelves

## SPECIFICATIONS

Capacity (Cu. ft)	3.0
Capacity (Liters)	88 L
Exterior Dimensions (in)	23 1/2" x 20 1/2" x 25 1/2"
Interior Dimensions (in)	19" x 15 1/2" x 21"
Package Dimensions (in)	25" x 22" x 28"
Net/Gross Weight (lbs)	90 lbs / 99 lbs
Nbr of Shelves	3
Door(s)	1, hinged
Temperature Range (°C)	-9°C TO -23°C
Ambiant Temperature	≤ 30°C
Ambiant Humidity	≤ 55%
Refrigerant (CFC-Free)	R290
Amperage (A)	2.8 A
Voltage (V)	110 - 120 V / 60Hz
Plug Type	NEMA 5-15P



# NEW AIR

\*Design and specifications may change without prior notice for product improvement

CUSTOMER SUPPORT



1-800-567-3620



NEWAIRREFRIGERATION.CA



2025