

NCB-072-SS

REFRIGERATED CHEF BASE

Ideal for restaurants, bars and cafes



FEATURES

Dixell™ digital temperature controller & defrost frequency



Durable, heavy-duty bearing rails for drawers

Removable drawers



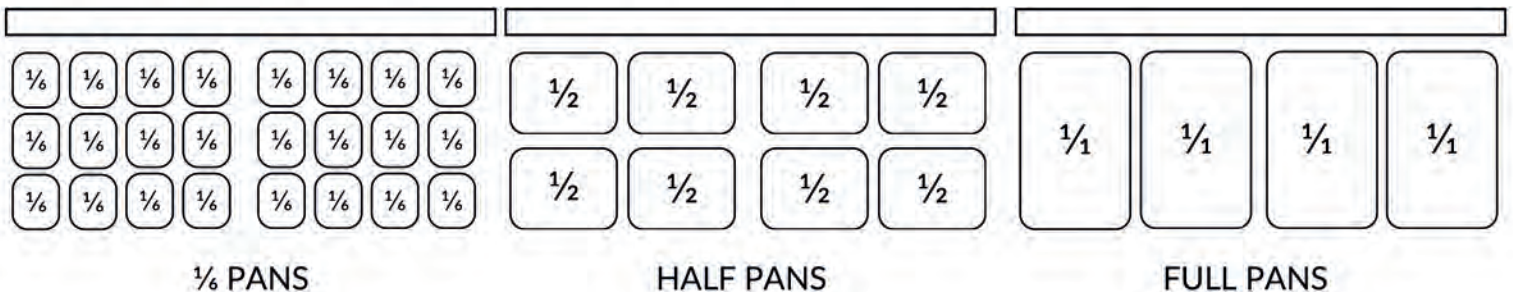
Stainless steel interior and exterior

Optional heavy duty wheels



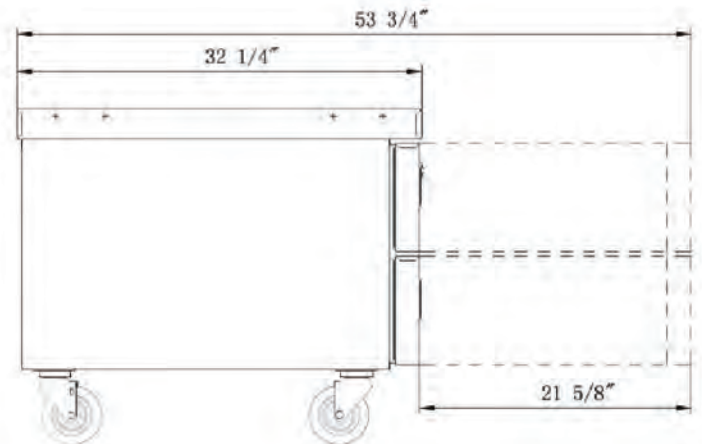
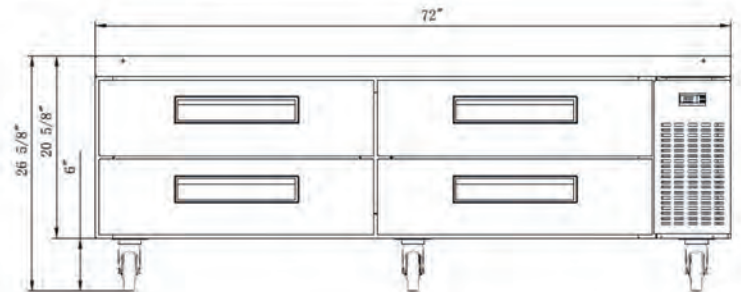
Rounded corners for easy cleaning

*Pan arrangement per drawer - adjustable bars allow for different sizes (pans not included)



SPECIFICATIONS

Exterior Dimensions (in)	72" (w) x 32.5" (d) x 26.5" (h)
Packaging Dimensions (in)	73.75" (w) x 34.5" (d) x 29.25" (h)
Net Weight (lbs)	308
Material	Stainless steel
Drawers	4
Casters	6
Power (W)	255
Voltage (V)	115V/60Hz
Amperage	2.5
Temperature (°C)	<30°C
Ambient temperature	<50%
Refrigerant (CFC-free)	R290
Plug Type	NEMA 5-15P



NEW AIR

*Design and specifications can change without prior notice for product improvement

CUSTOMER SUPPORT



1-800-567-3620



NEWAIRREFRIGERATION.CA

