



# KML-700M\_J

## LOW-PROFILE MODULAR CRESCENT CUBER



KML-700M\_J  
09/25/20  
Item # 13400

Item #: \_\_\_\_\_  
 Project: \_\_\_\_\_  
 Qty: \_\_\_\_\_  
 AIA#: \_\_\_\_\_

**W x D x H**  
30" x 27<sup>3/8</sup>" x 26"

**KM Edge DESIGN**

**KML-700MAJ** ★  
Air-Cooled

Shown on optional bin B-500

**KML-700MWJ**  
Water-Cooled

**KML-700MRJ** ★  
Remote Air-Cooled



## Features

- ▶ Individual crescent cube
- ▶ Stainless steel evaporator
- ▶ CycleSaver™ design

- Up to 665 lbs. of ice production per 24 hours
- Durable stainless steel exterior
- Protected by H-GUARD Plus Antimicrobial Agent
- EverCheck™ alert system
- Removable air filters (Air-cooled model only)
- R-404A Refrigerant

### Available on Bins:

**B-250PF**   **B-800SF**   **B-1150SS**   **B-1650SS\***  
**B-500SF**   **B-900SF**   **B-1300SS**   **DB-200H**  
**B-700SF**   **B-1150SS**   **B-1500SS\***   **DM-200B**

*Top kit may be required. See Bin Spec Sheets. \*Two unit application only.*

### Warranty:

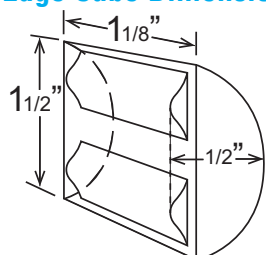
3 Year Parts & Labor on entire machine. 5 Year Parts & Labor on Evaporator. 5 Year Parts on Compressor; air-cooled condenser coil. Valid in United States, Canada, Puerto Rico and U.S. Territories. Contact factory for warranty in other countries.

Shipping: (LxWxH) 33.25" x 33.5" X 32" Volume: 20.6ft<sup>3</sup>



Condenser	Model	ICE PRODUCTION		WATER USAGE		ELECTRICAL						
		Air / Water Temp Lbs. per 24 hours 70°/ 50°F   90°/ 70°F	Potable Gal. per 100 lbs. 90°/ 70°F	Condenser Gal. per 100 lbs. 90°/ 70°F	kWh Used per 100 lbs. 90°/ 70°F	Max. Fuse Sz or HACR Circuit Bkr	Amperage	Voltage	Circuit Wires (including ground)	Heat Rejection BTU/hr.	Refrigerant Charge Amount	Net / Ship Weight (lbs.)
Air	KML-700MAJ	662   610	16.0	N/A	4.90	20A	14.9A	115V/60/1	3	8,700	2 lb. 10.3 oz.	184 / 204
Water	KML-700MWJ	665   660	19.5	110	3.79	20A	11.9A	115V/60/1	3	12,400	1 lb. 6 oz.	182 / 202
Remote	KML-700MRJ	657   614	16.4	N/A	4.90	20A	13.7A	115V/60/1	3	9,400	11 lb. 7.4 oz. (with condenser)	180 / 200

### KM Edge Cube Dimensions\*



\* approximate size in inches, image not to scale

### Operating Limits

- Ambient Temp Range      45 - 100°F
- Water Temp Range        45 - 90°F
- Water Pressure            10 - 113 PSIG
- Voltage Range             104 - 127V

### Service

- Allow 6" (15 cm) clearance at rear, sides, and top for proper air circulation and ease of maintenance/service.
- Removable air filters (air-cooled model only).

### Plumbing

- Icemaker Water Supply Line: Min. 1/4" Nominal ID Copper Water Tubing or Equivalent
- Icemaker Drain Line: Min. 3/4" Nominal ID Hard Pipe or Equivalent
- Water-Cooled Model (Lines Must Be Independent of Icemaker)
- Condenser Water Supply Line: Min. 1/4" Nominal ID Copper Water Tubing or Equivalent
- Condenser Drain/Return Line: Min. 1/4" Nominal ID Hard Pipe (open drain system) or Copper Water Tubing (closed loop system) or Equivalent

### Water Filter

Please refer to water filter spec sheet for recommended configurations.

Hoshizaki reserves the right to change specifications without notice.



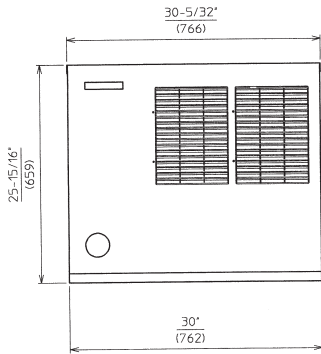
# KML-700M\_J

## LOW-PROFILE MODULAR CRESCENT CUBER

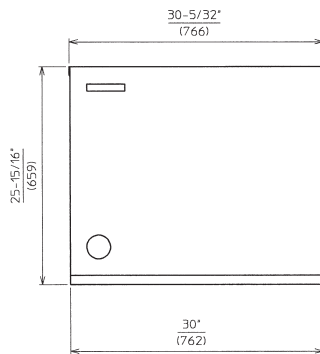


KML-700M\_J  
09/25/20  
Item # 13400

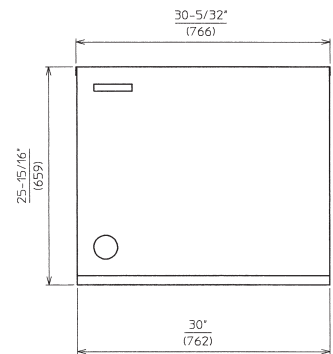
FRONT VIEW



AIR-COOLED

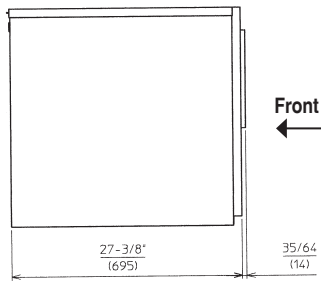


WATER-COOLED

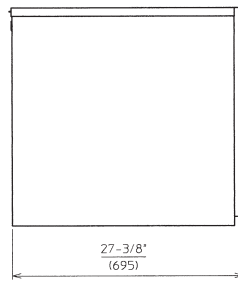


REMOTE AIR-COOLED

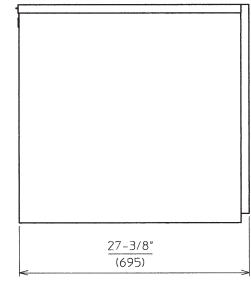
SIDE VIEW



AIR-COOLED

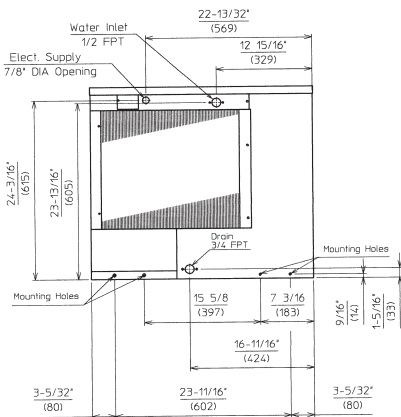


WATER-COOLED

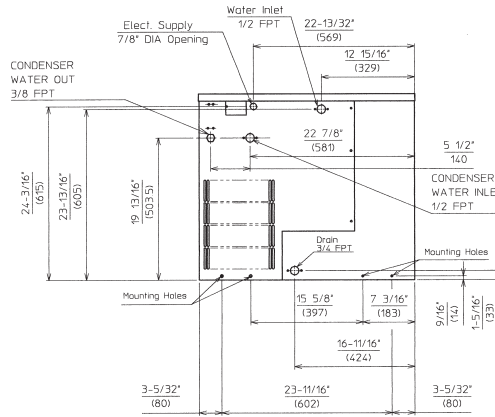


REMOTE AIR-COOLED

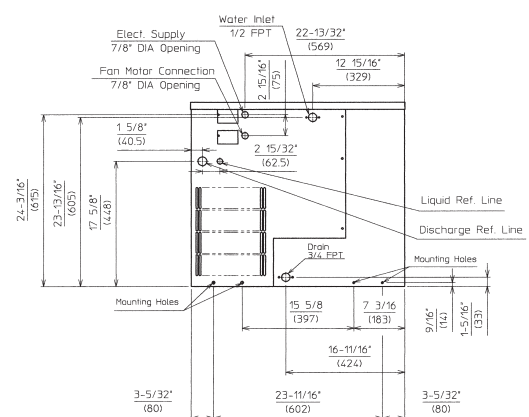
REAR VIEW



AIR-COOLED

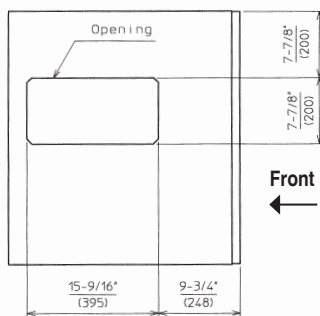


WATER-COOLED



REMOTE AIR-COOLED

BOTTOM VIEW



AIR-COOLED  
WATER-COOLED  
REMOTE AIR-COOLED

**URC-9F Remote Condenser (Sold Separately)**  
(W x D x H) 35 11/16 x 14 1/16 x 36 1/2  
For Use with KML-700MRJ

**Pre-Charged Tubing Kits (Sold Separately)**  
20' R404-2068-2  
35' R404-3568-2  
55' R404-5568-2



Voltage supply for the URC Remote Condenser is supplied from the Ice Maker. No additional circuit is required.

