



Equipment for the Foodservice Industry  
value + quality + service

## Nugget Ice Machine

IM-130-ID



**IM-130-ID**

**Features**

#### Features:

- Floor model ice dispenser
- Push lever ice dispensing
- Ideal for filling buckets or glasses
- Built-in agitator optimizes ice dispensing
- Corrosion resistant exterior
- Adjustable leveling legs
- Ice dispenser can work with IM-500 ice machine

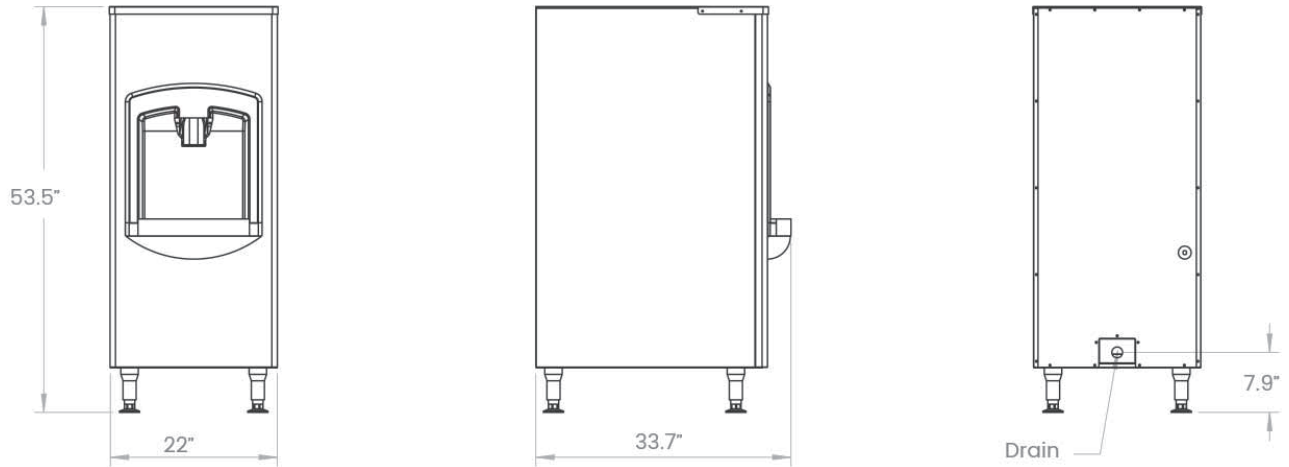
#### Warranty:

- One year parts and labour. *For full warranty details visit <https://www.efifoodequip.com/warranty-info.php>*



**IM-130-ID**

**Specifications**



Model	Refrigerant	Dimension (mm) (inch)			Condenser Unit	Voltage (V/Hz)	Power (W)	Bin Capacity (KG) (LBS)	Output LB/Min. (KG) (LBS)	Net Weight (KG) (LBS)
		L	D	H						
IM-130-ID	R290	560	855	1359	Air	115/60	210	60	5	77
		22	33.7	53.5				132	11	154

*Specifications subject to change without notice.*