



# KMS-1122MLJ

## SERENITY SERIES CUBER ICE MACHINE



KMS-1122MLJ  
04/10/18  
Item # 13253

Item #: \_\_\_\_\_  
Project: \_\_\_\_\_  
Qty: \_\_\_\_\_  
AIA#: \_\_\_\_\_

**W x D x H**  
22" x 18<sup>1/8</sup>" x 31<sup>1/4</sup>"

Shipping Dimensions  
30<sup>1/2</sup>" x 30" x 37"

**Installation Dimension\***  
SRK-12J / SRK-12J3  
52<sup>3/8</sup>" x 19<sup>1/2</sup>" x 43"

\*Dimensions include legs

**Actual Dimension**  
SRK-12J / SRK-12J3  
50<sup>1/4</sup>" x 17" x 28"



**KMS-1122MLJ**  
Remote Air-Cooled  
Shown on optional  
Lancer 30" Dispenser

## Features

- ▶ Individual crescent cube
- ▶ Stainless steel evaporator
- ▶ CycleSaver™ design

- Up to 1151 lbs. of ice production per 24 hours
- Durable stainless steel exterior
- Protected by H-GUARD Plus Antimicrobial Agent
- EverCheck™ alert system
- No heat, less noise
- CFC / HFC Free Foam
- R-404A Refrigerant
- Not recommended for side-by-side application



### Warranty:

3 Year Parts & Labor on entire machine. 5 Year Parts & Labor on Evaporator. 5 Year Parts on Compressor; air-cooled condenser coil. Valid in United States, Canada, Puerto Rico and U.S. Territories. Contact factory for warranty in other countries.

Condenser	Model	ICE PRODUCTION		WATER USAGE		ELECTRICAL				
		Air / Water Temp 70°/ 50°F	Lbs. per 24 hours 90°/ 70°F	Potable Gal. per 100 lbs. 90°/ 70°F	Condenser Gal. per 100 lbs. 90°/ 70°F	kWh Used per 100 lbs. 90°/ 70°F	Voltage	Circuit Wires (including ground)	Refrigerant Charge Amount	Net / Ship Weight (lbs.)
Remote	KMS-1122MLJ with SRK-12J	1151	1075	16.0	N/A	4.2	115V/60/1*	4‡	7.1 oz.	122 /152
Remote	KMS-1122MLJ with SRK-12J3	1151	1100	16.0	N/A	4.05	115V/60/3*	4	7.1 oz.	122 /152

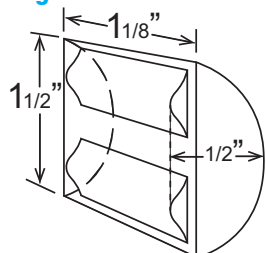
\* Voltage supply for KMS Ice Maker is supplied from the SRK Remote Condenser

Condenser	Model	LINE SETS - Brazing Required			TEMP RANGE		ELECTRICAL						
		25' Length	35' Length	55' Length	Ambient (Outdoor Use)	Voltage Range	Max. Fuse Size or HACR Circuit Breaker	Amperage	Voltage	Circuit Wires (including ground)	Heat Rejection BTU/hr.	Refrigerant Charge Amount	Net / Ship Weight (lbs.)
Remote	SRK-12J	HS-0250 <sup>§</sup>	HS-0251 <sup>§</sup>	HS-0252 <sup>§</sup>	-20 - 122°	187-253VAC	20A	11.6A	208-230V/60/1	4‡	16,500	15 lb. 14 oz.	230 /275
Remote	SRK-12J3	HS-0250 <sup>§</sup>	HS-0251 <sup>§</sup>	HS-0252 <sup>§</sup>	-20 - 122°	187-253VAC	20A	10.5A	208-230V/60/3	4	17,300	15 lb. 14 oz.	230 /275

<sup>§</sup> Line sets require refrigerant. <sup>‡</sup> If neutral is not available transformer kit (HS-5030) is required. Refer to instruction manual for installation and electrical requirements. See instruction manual for wiring diagram.

Power cord not included. Must be hard-wired at site.

### KM Edge Cube Dimensions<sup>§</sup>



<sup>§</sup> approximate size in inches, image not to scale

### Operating Limits- KMS-1122MLJ

- Ambient Temp Range 45 - 100°F
- Water Temp Range 45 - 90°F
- Water Pressure 10 - 113 PSIG
- Voltage Range 187-253V<sup>‡</sup>

<sup>‡</sup> Voltage supply for KMS Ice Maker is supplied from the SRK Remote Condenser

### Service- KMS-1122MLJ

- Allow 6" (15 cm) clearance at rear, sides, and top for proper air circulation and ease of maintenance and/or service should they be required.
- Panels easily removed and all components accessible for service.

### Plumbing- KMS-1122MLJ

- Icemaker Water Supply Line: Minimum 3/8" Nominal ID Copper Water Tubing or Equivalent
- Icemaker Drain Line: Minimum 3/4" Nominal ID Hard Pipe or Equivalent

### Service- SRK-12J(3)

- Allow 24" (61 cm) clearance in both front and rear for proper air circulation and ease of maintenance/service.
- For best performance the Remote Condenser should not be more than 33 feet above the icemaker or no more than 10 feet below it. These distances are measure from fitting to fitting.



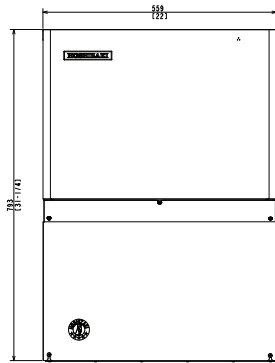
# KMS-1122MLJ

SERENITY SERIES CUBER ICE MACHINE

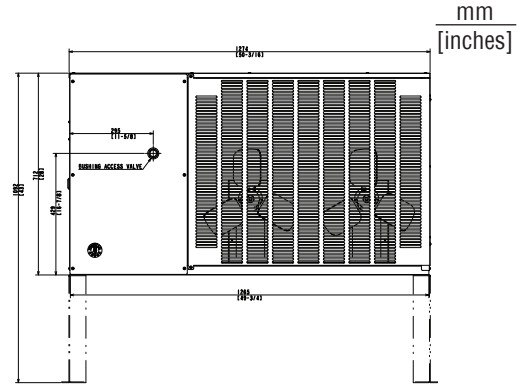


KMS-1122MLJ  
04/10/18  
Item # 13253

FRONT VIEW

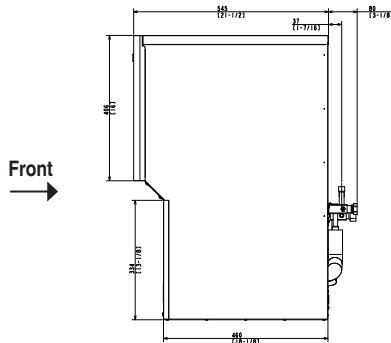


REMOTE AIR-COOLED

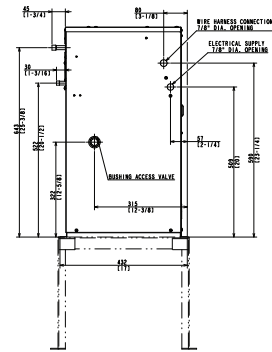


SRK-12J(3) REMOTE CONDENSER

SIDE VIEW

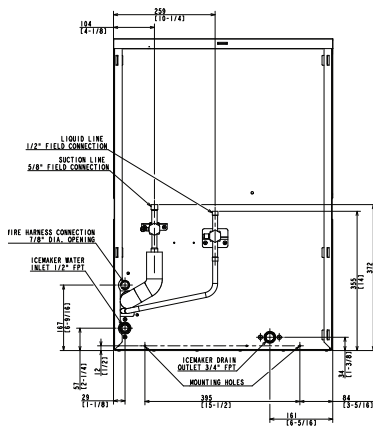


REMOTE AIR-COOLED



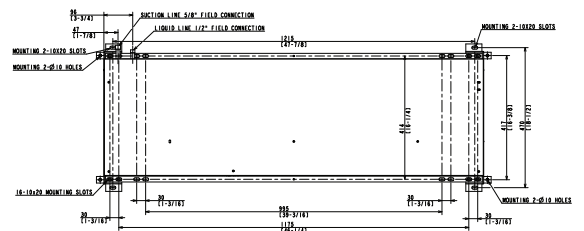
SRK-12J(3) REMOTE CONDENSER

REAR VIEW



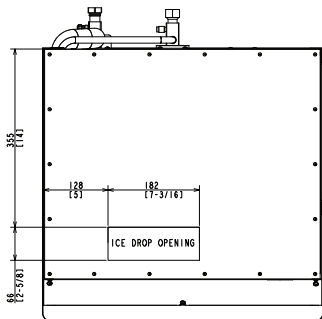
REMOTE AIR-COOLED

TOP VIEW



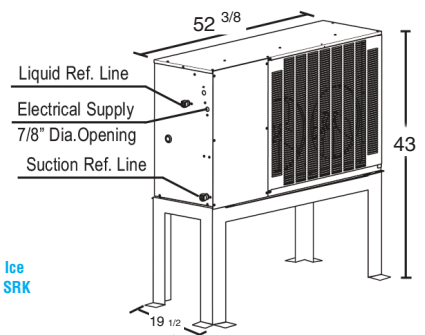
SRK-15J(3) REMOTE CONDENSER

BOTTOM VIEW



REMOTE AIR-COOLED

SRK-12J(3) Remote Condenser (Sold Separately)  
(W x D x H) 52<sup>3/8</sup> x 19<sup>1/2</sup> x 43  
For Use with KMS-1122MLJ



Brazed Line Sets  
(Sold Separately)  
25" HS-0250  
35" HS-0251  
55" HS-0252

Voltage supply for the KMS Ice Maker is supplied from the SRK Remote Condenser.