



# KMH-2100S\_J(3)


HIGH CAPACITY STACKABLE ICE CUBER





KMH-2100S\_J(3)  
06/27/18  
Item # 13257

Item #: \_\_\_\_\_  
Project: \_\_\_\_\_  
Qty: \_\_\_\_\_  
AIA#: \_\_\_\_\_

## Features

- ▶ Individual crescent cube
- ▶ Stainless steel evaporator
- ▶ CycleSaver™ design 

- Up to 2060 lbs. of ice production per 24 hours
- Stackable for 8240 lbs. per 24 hours ice production in the same floor space
- Durable stainless steel exterior
- Protected by H-GUARD Plus  Antimicrobial Agent
- EverCheck alert system 
- 40-inch depth
- R-404A Refrigerant

### Warranty:

3 Year Parts & Labor on entire machine. 5 Year Parts & Labor on Evaporator. 5 Year Parts on Compressor; air-cooled condenser coil. Valid in United States, Canada, Puerto Rico and U.S. Territories. Contact factory for warranty in other countries.

Shipping: (LxWxH) 45.75" x 39.5" X 42.44" Volume: 44.38ft<sup>3</sup>

W x D x H  
36" x 40" x 36<sup>7/16</sup>"

**KMH-2100SRJ** ★  
Remote Air-Cooled 1 Phase

**KMH-2100SWJ3**  
Water-Cooled 3 Phase

**KMH-2100SRJ3** ★  
Remote Air-Cooled 3 Phase

Shown on a Kloppenberg 2115  
Double Upright Bin



Please allow for adequate lead time when placing orders



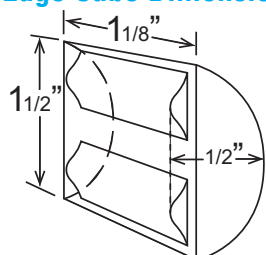
Condenser	Model	ICE PRODUCTION		WATER USAGE		ELECTRICAL								
		Air / Water Temp Lbs. per 24 hours 70°/ 50°F	90°/ 70°F	Potable Gal. per 100 lbs. 90°/ 70°F	Condenser Gal. per 100 lbs. 90°/ 70°F	kWh Used per 100 lbs. 90°/ 70°F	Min. Circuit Amp. - Max Fuse/Breaker	Amperage	Voltage	Circuit Wires (including ground)	Heat Rejection BTU/hr.	Refrigerant Charge Amount	Net / Ship Weight (lbs.)	
1 Phase	Remote	KMH-2100SRJ	2034	1850	15.0	N/A	3.75	30A	15.1A	208-230/60/1	4*	22,600	8 lbs. 6 oz. 16 lbs. 1.5 oz. <sup>†</sup>	365 / 415
	Water	KMH-2100SWJ3	2060	2000	15.0	92	2.92	20A	10A	208-230/60/3	4	22,400	3 lbs. 1.4 oz.	365 / 415
3 Phase	Remote	KMH-2100SRJ3	2026	1925	15.0	N/A	3.67	20A	12.5A	208-230/60/3	4	22,900	8 lb. 6 oz. 16 lbs. 1.5 oz. <sup>†</sup>	365 / 415

\*If neutral is not available transformer kit (HS-5030) is required. Refer to instruction manual for installation and electrical requirements.

<sup>†</sup>(with condenser)

Power cord not included

### KM Edge Cube Dimensions\*



\* approximate size in inches, image not to scale

### Operating Limits

- Ambient Temp Range 45 - 100°F
- Water Temp Range 45 - 90°F
- Water Pressure 10 - 113 PSIG
- Voltage Range 187 - 253V

### Service

- Panels easily removed and all components accessible for service.
- Allow 6" (15 cm) clearance at rear, sides, and top for proper air circulation and ease of maintenance/service.

### Plumbing

- Icemaker Water Supply Line: Min. 3/8" Nominal ID Copper Water Tubing or Equivalent
- Icemaker Drain Line: Min. 3/4" Nominal ID Hard Pipe or Equivalent **Water-Cooled Model (Lines Must Be Independent of Icemaker)**
- Condenser Water Supply Line: Min. 3/8" Nominal ID Copper Water Tubing or Equivalent
- Condenser Drain/Return Line: Min. 3/8" Nominal ID Hard Pipe (open drain system) or Copper Water Tubing (closed loop system) or Equivalent

### Water Filter

Please refer to water filter spec sheet for recommended configurations.

Hoshizaki reserves the right to change specifications without notice.



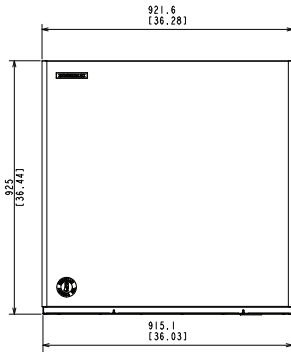
# KMH-2100S\_J(3)

**HIGH CAPACITY STACKABLE ICE CUBER**

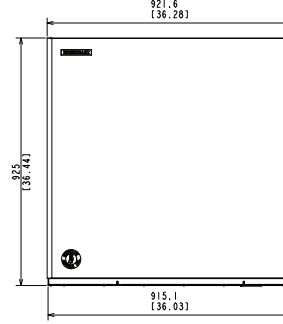


KMH-2100S\_J(3)  
06/27/18  
Item # 13257

**FRONT VIEW**

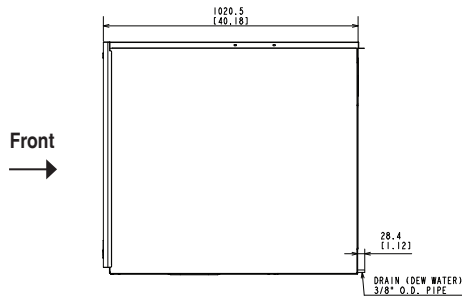


**WATER-COOLED**

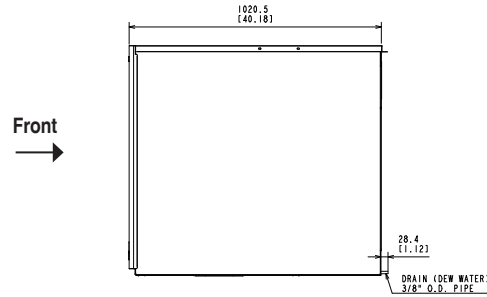


**REMOTE AIR-COOLED**

**SIDE VIEW**

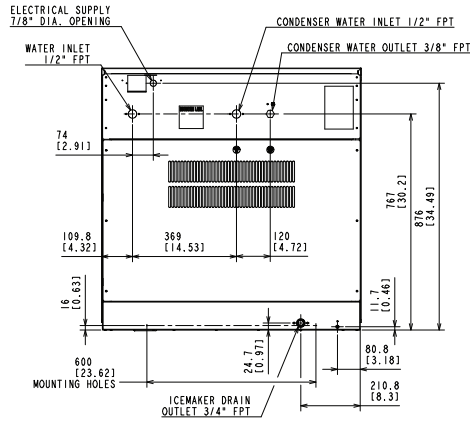


**WATER-COOLED**

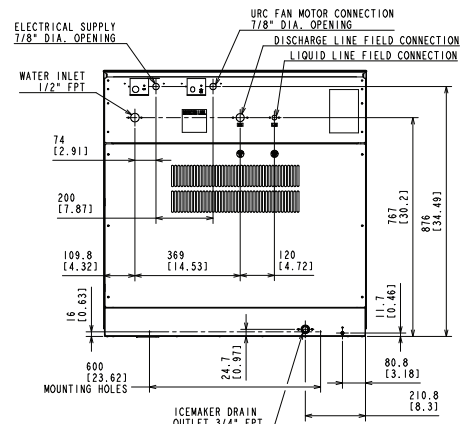


**REMOTE AIR-COOLED**

**REAR VIEW**

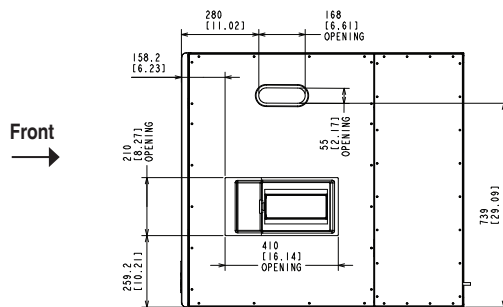


**WATER-COOLED**



**REMOTE AIR-COOLED**

**BOTTOM VIEW**



**WATER-COOLED  
REMOTE AIR-COOLED**

**URC-22F Remote Condenser (Sold Separately)**  
**(W x D x H) 46 3/8 x 14 1/16 x 40 1/2**  
For Use with KMH-2100SRJ(3)



**Pre-Charged Tubing Kits**  
(Sold Separately)  
20' R404-20610  
35' R404-35610  
55' R404-55610

Voltage supply for the URC Remote Condenser is supplied from the Ice Maker. No additional circuit is required.

