



**VERSA
HEAT**

HGT SERIES
GRIDDLE W/ THERMOSTAT CONTROLS



HGT48-N



HGT24-N

**HGT24-N/P | HGT36-N/P
HGT48-N/P | HGT60-N/P**
THERMOSTAT CONTROLLED GAS GRIDDLES
AVAILABLE IN NATURAL GAS OR PROPANE

- Available in 24", 36", 48", & 60" widths
- Independent thermostatic snap-action manual controls
- 1" griddle plate with continuous heat output
- Thermostat range 200° F to 450° F (93°C to 232°C)
- Cool-to-the-touch front S/S edge
- All stainless steel cabinet
- Operator-friendly controls
- Back and side splash guards are fully welded to the griddle plate

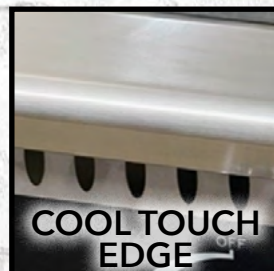
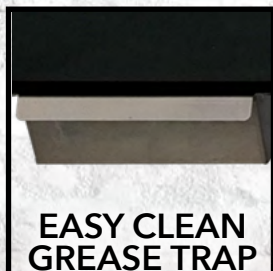
- Robust construction, all stainless-steel cabinets
- Adjustable stainless steel non-skid feet
- Easy to remove 4 1/2" quart grease drawer with weep hole
- Shipped standard, Natural gas or LP conversion kit included
- Gas pressure regulator supplied with the unit
- Gas hose kit available for purchase: **SIF-HG-4D-48SEL**

FIND
ADDITIONAL
BENEFITS
HERE



WARRANTY:
LIMITED ONE YEAR PARTS
AND LABOUR
SPECIFICATIONS SUBJECT TO
CHANGE WITHOUT
NOTICE.

ADDITIONAL IMAGES



MODEL DESIGNATIONS



ADDITIONAL RESOURCES



HGT SERIES

GRIDDLE W/THERMOSTAT CONTROLS

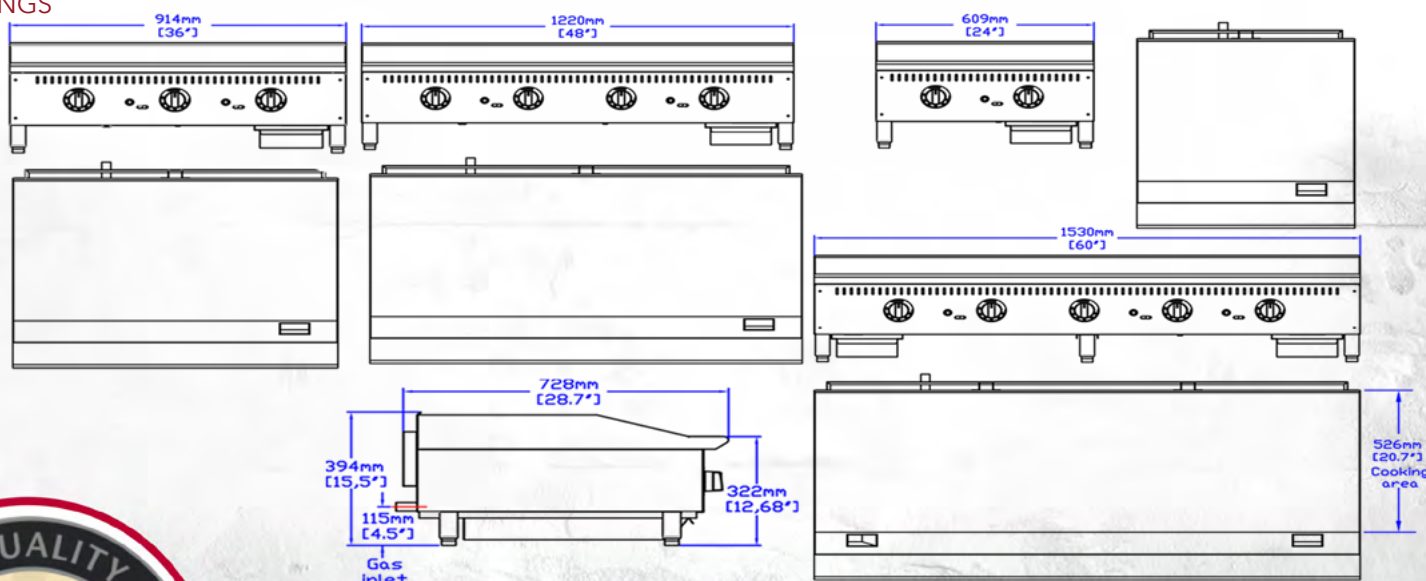
DIMENSIONS

Code	Dimensions	Width		Depth		Height		Weight	
		Inches	mm	Inches	mm	Inches	mm	Lbs	KG
HGT24-N	Exterior	24.0	610.0	28.7	728.0	15.5	394.0	343.6	156.2
HGT24-P	Shipping	28.4	721.0	35.5	850.0	19.3	490.0	343.6	156.2
HGT36-N	Exterior	36.0	914.0	28.7	728.0	15.5	394.0	484.0	220.0
HGT36-P	Shipping	40.6	1031.2	35.5	850.0	19.3	490.0	484.0	220.0
HGT48-N	Exterior	48.0	1220.0	28.7	728.0	15.5	394.0	764.7	347.6
HGT48-P	Shipping	52.8	1341.1	35.5	850.0	19.3	490.0	764.7	347.6
HGT60-N	Exterior	60.0	1530.0	28.7	728.0	15.5	394.0	1,064.8	484.0
HGT60-P	Shipping	65.0	1651.0	35.5	850.0	19.3	490.0	1,064.8	484.0

TECHNICAL

Code	Gas Type	Griddle Width	# of Control	# of Burners	BTU per Burner	Total BTU Output	TEMP RANGE °C	TEMP RANGE °F	Operating Gas Pressure
HGT24-N	NG	24"	2	2	30000	60000	93°C to 232°C	200°F to 450°F	4.0" W.C
HGT24-P	LP	24"	2	2	30000	60000	93°C to 232°C	200°F to 450°F	10.0" W.C
HGT36-N	NG	36"	3	3	30000	90000	93°C to 232°C	200°F to 450°F	4.0" W.C
HGT36-P	LP	36"	3	3	30000	90000	93°C to 232°C	200°F to 450°F	10.0" W.C
HGT48-N	NG	48"	4	4	30000	120000	93°C to 232°C	200°F to 450°F	4.0" W.C
HGT48-P	LP	48"	4	4	30000	120000	93°C to 232°C	200°F to 450°F	10.0" W.C
HGT60-N	NG	60"	5	5	30000	150000	93°C to 232°C	200°F to 450°F	4.0" W.C
HGT60-P	LP	60"	5	5	30000	150000	93°C to 232°C	200°F to 450°F	10.0" W.C

LINE DRAWINGS



PRODUCT DRAWINGS



EFI Sales Ltd.
 Toronto Office & DC
 515 Hanlon Creek Blvd.
 Guelph, ON, N1C 0A1

EFI Sales Ltd.
 Vancouver Office & DC
 26895 Gloucester Way
 Langley, BC, V4W 3Y3

(888) 565-9920 Toll Free
 (519) 822-1895 Toronto
 (604) 607-8850 Vancouver

