



**VERSA  
HEAT**

**HCT48 SERIES  
48-INCH COOKTOPS**



HCT48-24CH-24GM-N

**HCT48-24CH-24GM-N/P  
HCT48-24HP-24GM-N/P  
HCT48-24HP-24CH-N/P  
48" COOKTOP WITH 24" GRIDDLE, 24",  
CHARBROILER OR 24" HOT PLATE  
AVAILABLE IN NATURAL GAS OR PROPANE**

FIND  
ADDITIONAL  
BENEFITS  
HERE



**WARRANTY:  
LIMITED ONE YEAR PARTS  
AND LABOUR  
SPECIFICATIONS SUBJECT TO  
CHANGE WITHOUT  
NOTICE.**

- 48" width combination cooktop
- Combination of 24" Griddle,
- 24" Charbroiler or 24" Hot plate in one appliance
- Standing pilot ignition system
- 25,000BTU/h per hot plate burner
- 30,000BTU/h per griddle burner
- 35,000BTU/h per charbroiler
- Adjustable pilot light lit from the front
- Cool-to-the-touch front S/S edge
- All stainless-steel cabinets
- Adjustable stainless steel non-skid feet
- Shipped standard with Natural gas or LP conversion kit included.
- Gas pressure regulator supplied with unit
- Stands & enclosed bases, with or without doors available and sold separately
- Gas hose kit available for purchase: **SIF-HG-4D-48SEL**

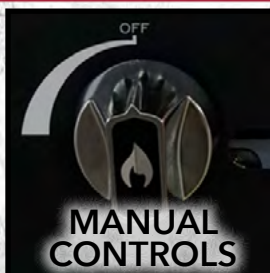
ADDITIONAL IMAGES



CAST IRON



COOL TOUCH  
EDGE



MANUAL  
CONTROLS



POLISHED  
PLATE

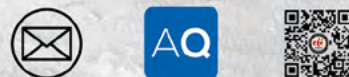


HEAVY DUTY  
GRATE

MODEL DESIGNATIONS



ADDITIONAL RESOURCES



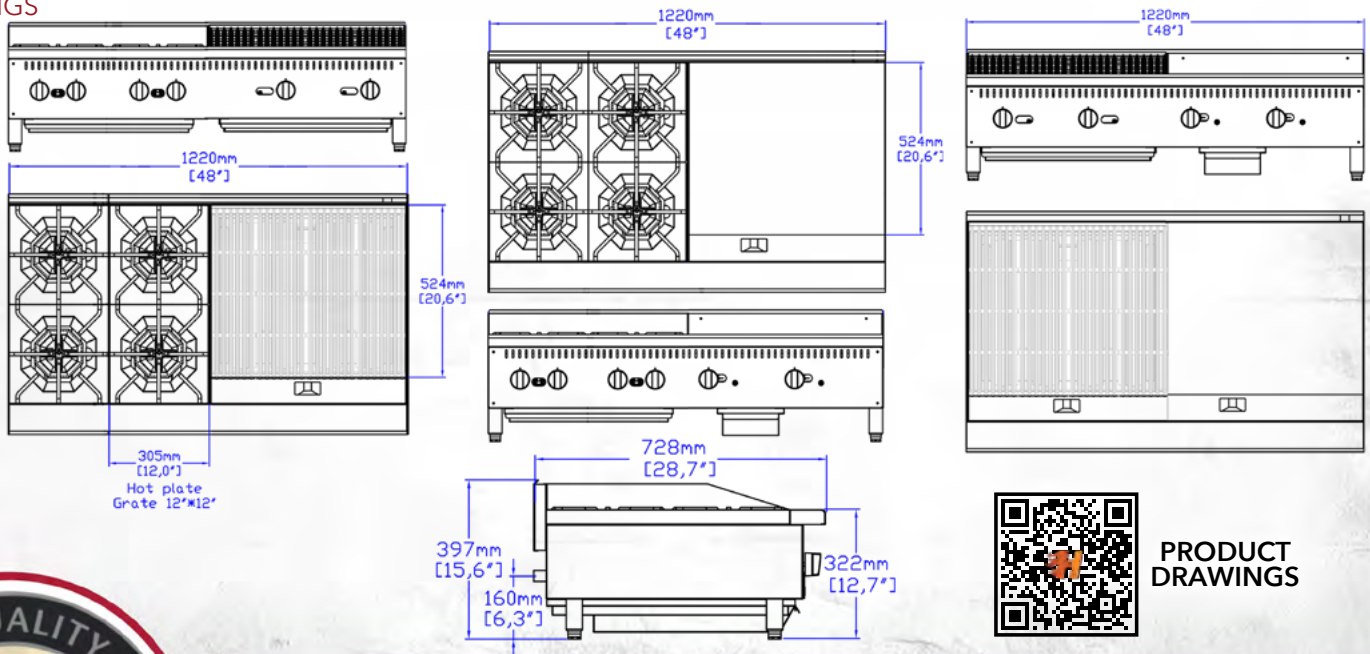
### DIMENSIONS

Code	Dimensions	Width		Depth		Height		Weight	
		Inches	mm	Inches	mm	Inches	mm	Lbs	KG
HCT48-24CH-24GM-N	Exterior	48.0	1,220.0	31.1	791.0	15.6	397.0	250.8	114.0
HCT48-24CH-24GM-P	Shipping	51.2	1,300.0	33.5	850.0	19.3	490.0	321.2	146.0
HCT48-24HP-24GM-N	Exterior	48.0	1,220.0	31.1	791.0	15.6	397.0	319.0	145.0
HCT48-24HP-24GM-P	Shipping	51.2	1,300.0	33.5	850.0	19.3	490.0	400.4	182.0
HCT48-24HP-24CH-N	Exterior	48.0	1,220.0	31.1	791.0	15.6	397.0	250.8	114.0
HCT48-24HP-24CH-P	Shipping	51.2	1,300.0	33.5	850.0	19.3	490.0	321.2	146.0

### TECHNICAL

Code	Gas Type	# of Hot Plates	BTU per Hot Plate	Charboiler Size	Charboiler BTU per 12"	Griddle Size	Griddle BTU per 12"	TOTAL Unit BTU	Operating Gas Pressure
HCT48-24CH-24GM-N	NG	-	-	24"	35000	24"	30000	130000	4.0"W.C
HCT48-24CH-24GM-P	LP	-	-	24"	35000	24"	30000	130000	10.0"W.C
HCT48-24HP-24GM-N	NG	4	25000	-	-	24"	30000	160000	4.0"W.C
HCT48-24HP-24GM-P	LP	4	25000	-	-	24"	30000	160000	10.0"W.C
HCT48-24HP-24CH-N	NG	4	25000	24"	35000	-	-	170000	4.0"W.C
HCT48-24HP-24CH-P	LP	4	25000	24"	35000	-	-	170000	10.0"W.C

### LINE DRAWINGS



EFI Sales Ltd.  
 Toronto Office & DC  
 515 Hanlon Creek Blvd.  
 Guelph, ON, N1C 0A1

EFI Sales Ltd.  
 Vancouver Office & DC  
 26895 Gloucester Way  
 Langley, BC, V4W 3Y3

(888) 565-9920 Toll Free  
 (519) 822-1895 Toronto  
 (604) 607-8850 Vancouver