

efi sales Ltd.

Equipment for the Foodservice Industry

value + quality + service

Hot Show Cases

HCGS-3526



HCGS-3526

Features

Features:

- Brilliant internal LED illumination on top
- Adjustable temperature controller
- Temperature display
- Adjustable chrome plated shelves
- Front and back sliding doors

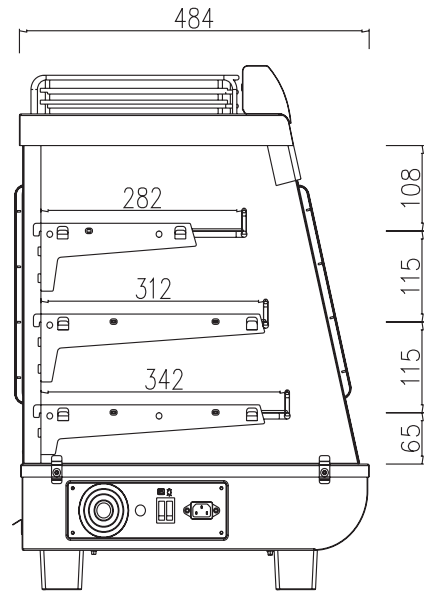
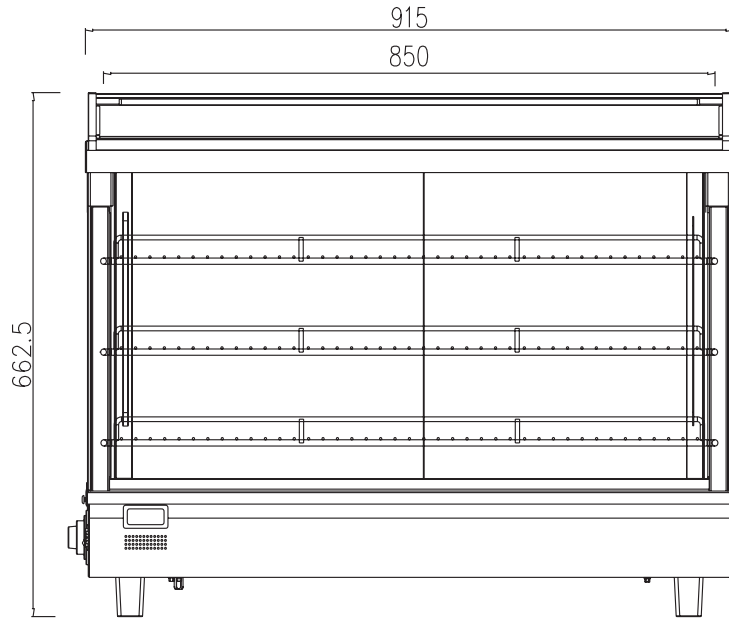
Warranty:

- One year limited warranty parts and labour
- Specifications subject to change without notice



HCGS-3526

Specifications



Model	Dimension			Voltage	Amps	Capacity (L) (Cu Ft.)	Net Weight (KG) (LBS)	Temperature Range
	L	D	H					
HCGS-3526	915	484	662.5	115/60	10	136	41.5	30-90°C
	36.0	19.1	26.1					