



Equipment for the Foodservice Industry

value + quality + service

## Work Top Freezer

FWDR1-27VC-R



### FWDR1-27VC-R Features

#### Features:

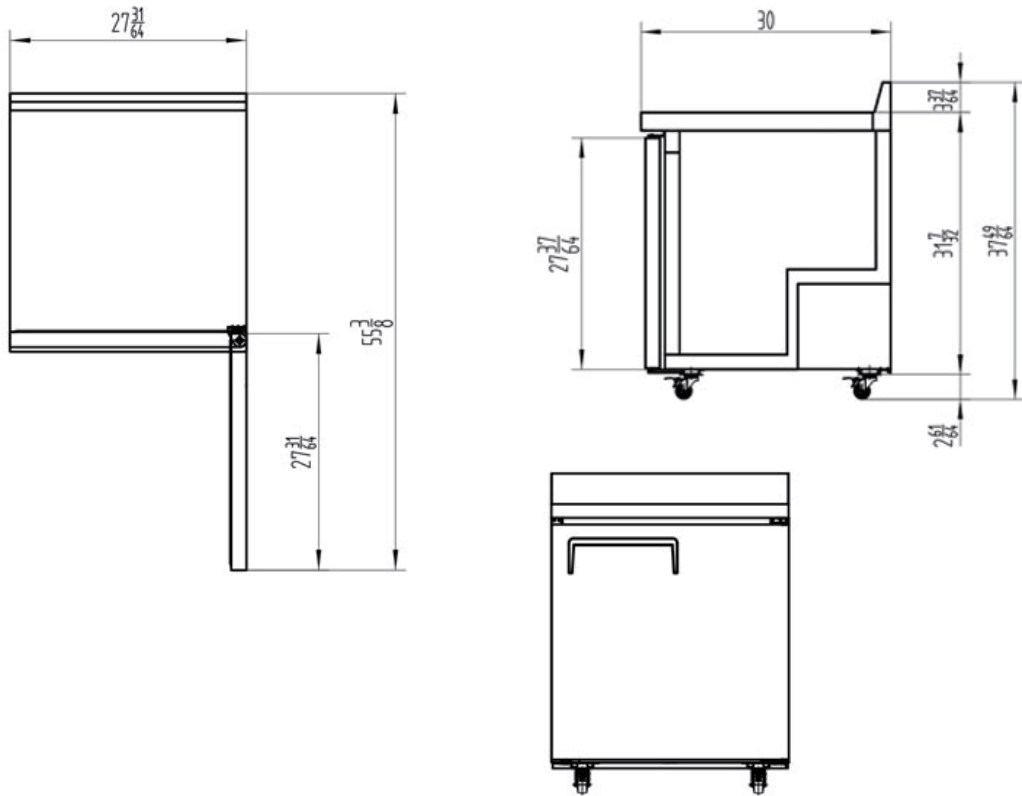
- Exterior & interior stainless steel construction
- Environmentally friendly R290 refrigerant
- Heavy duty Embraco compressor
- Self-closing and stay open door
- Efficient refrigeration system
- Recessed door handle
- Removable gasket that is easy to clean and replace
- Casters for easy movement
- Pre-installed shelves

#### Warranty:

- Two year parts and labour; Five years on compressor. For full warranty details visit <https://www.efifoodequip.com/warranty-info.php>



**FWDR1-27VC-R Specifications**



| Model        | Refrigerant | Doors | Shelves | Dimension (mm / inch) |      |      | HP  | Voltage | Amps | Capacity (L / Cu Ft.) | Net Weight (KG / LBS) | Temperature Range |
|--------------|-------------|-------|---------|-----------------------|------|------|-----|---------|------|-----------------------|-----------------------|-------------------|
|              |             |       |         | L                     | D    | H    |     |         |      |                       |                       |                   |
| FWDR1-27VC-R | R290        | 1     | 1       | 698                   | 762  | 995  | 1/5 | 115/60  | 1.8  | 202                   | 67                    | -8 ~ -1°F         |
|              |             |       |         | 27.5                  | 30.0 | 39.2 |     |         |      | 7.2                   | 147                   | -22 ~ -18°C       |

Equipped with one NEMA 5-15P plug 

**Shipping Information**

| Crate Dimensions (mm / inch) |      |      | Net Weight (KG / LBS) | Gross Weight (KG / LBS) |
|------------------------------|------|------|-----------------------|-------------------------|
| L                            | D    | H    |                       |                         |
| 752                          | 831  | 1077 | 65                    | 80                      |
| 29.6                         | 32.7 | 42.4 | 137                   | 176                     |

Specifications subject to change without notice.