



Equipment for the Foodservice Industry

value + quality + service

Undercounter Freezers

FUDR2-48CC



FUDR2-48CC

Features

Features:

- High quality stainless steel cabinets
 - Features 24 gauge, Type 304 stainless steel interior walls, doors and bottom shelf. Features 24 gauge, Type 430 stainless steel exterior sides and doors
- Self-closing swing door w/90°stay open feature
- Recessed handles
- Removable gasket that is easy to clean and replace
- Adjustable/removable plastic coated wire shelves
- Foamed-in polyurethane cell insulation
- Auto evaporation of defrosting water
- Mechanical control of temperature
- Round corner design for inner bottom board
- Casters for easy movement
- Cold air circulation via fan for temperature balance
- Condenser access at rear of unit, slides out for easy maintenance

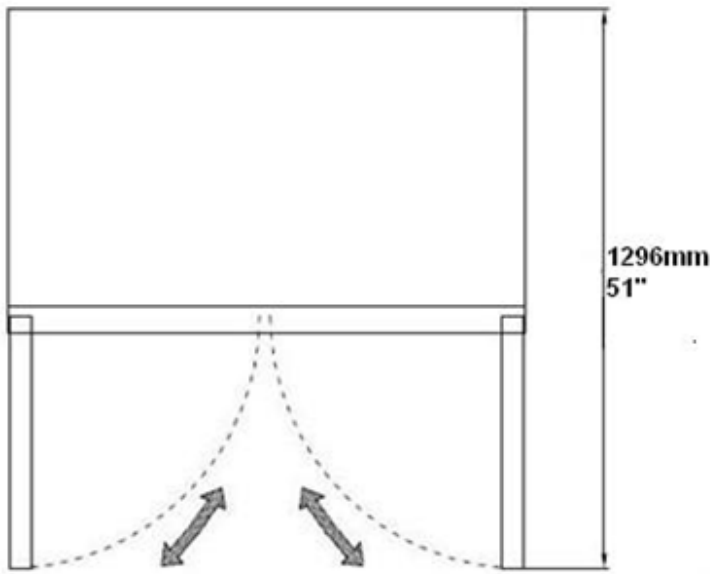
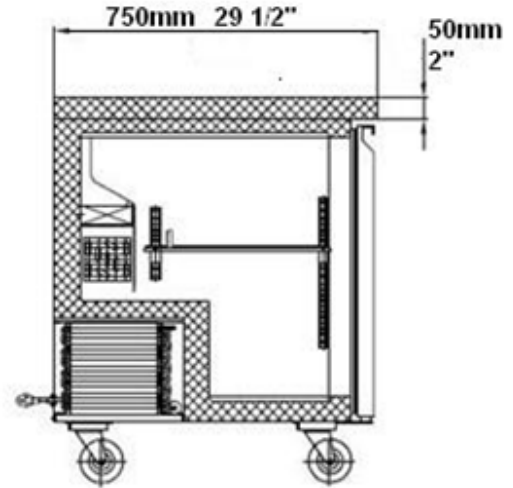
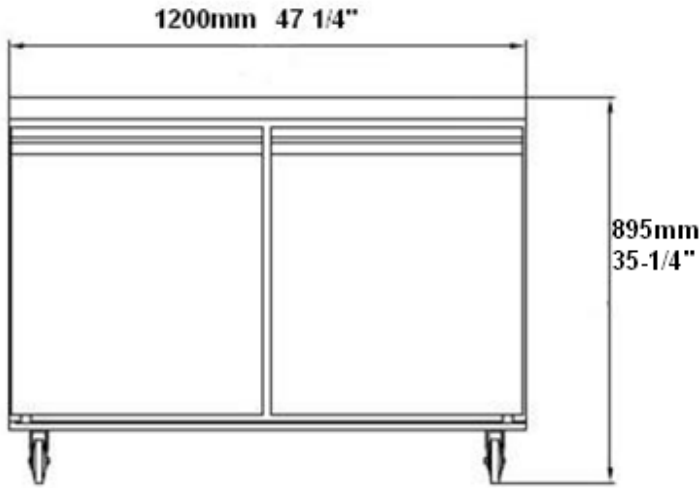
Warranty:


- 2 year parts and labour; 5 years on compressor
- Specifications subject to change without notice.



FUDR2-48CC

Specifications



Model	Doors	Shelves	Dimension (mm) (inch)			HP	Voltage	Amps	Capacity (L) (Cu Ft.)	Net Weight (KG) (LBS)	NEMA Config.
			L	D	H						
FUDR2-48CC	2	2	1200	750	895	1/4+	115/60/1	4.5	338	97	5-15P 
			47.3	29.5	35.3				12	214	