



Equipment for the Foodservice Industry  
value + quality + service

## Novelty Refrigeration

FCFG-50



### FCFG-50

### Features

Features:

- Durable white powder coated steel exterior with white precoated steel interior
- Temperature display
- PVC coated baskets included
- Sliding doors with flat top glass for easy access
- Built in lock to secure products
- Eco-friendly R-290 refrigerant
- Low profile casters with locks

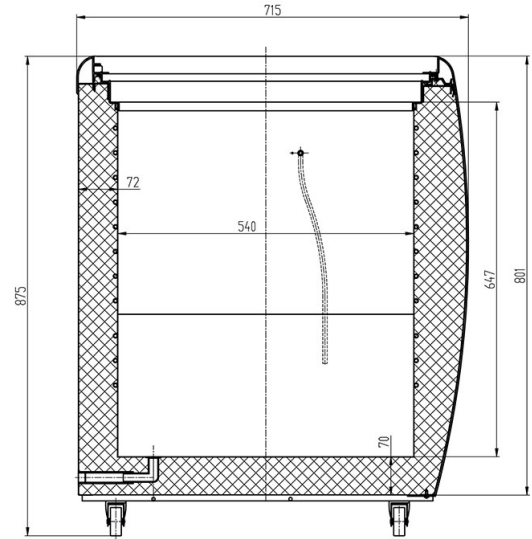
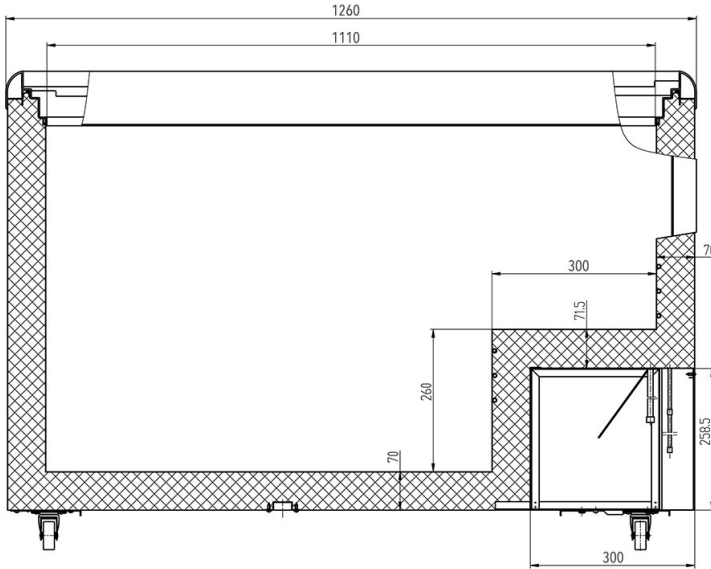
Warranty:

- One year limited warranty parts and labour
- Specifications subject to change without notice



**FCFG-50**

**Specifications**



Model	Baskets	Dimension (mm) (inch)			HP	Voltage	Amps	Capacity (L) (Cu Ft.)	Net Weight (KG) (LBS)	Temperature Range	NEMA Config.
		L	D	H							
FCFG-50	3	1260	715	875	2/5+	115/60/1	4	371	78.9	≤ -26°C	5-15A
		49.6	28.18	34.5							