



Equipment for the Foodservice Industry

value + quality + service

Novelty Refrigeration

FCFG-39



FCFG-39

Features

Features:

- Durable white powder coated steel exterior with white precoated steel interior
- Temperature display
- PVC coated baskets included
- Sliding doors with flat top glass for easy access
- Built in lock to secure products
- Eco-friendly R-290 refrigerant
- Low profile casters with locks

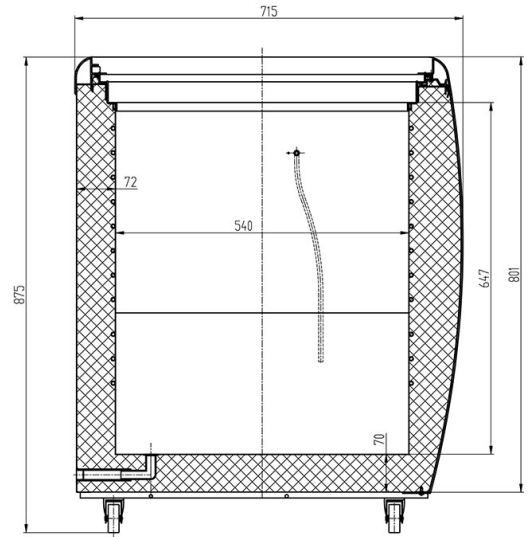
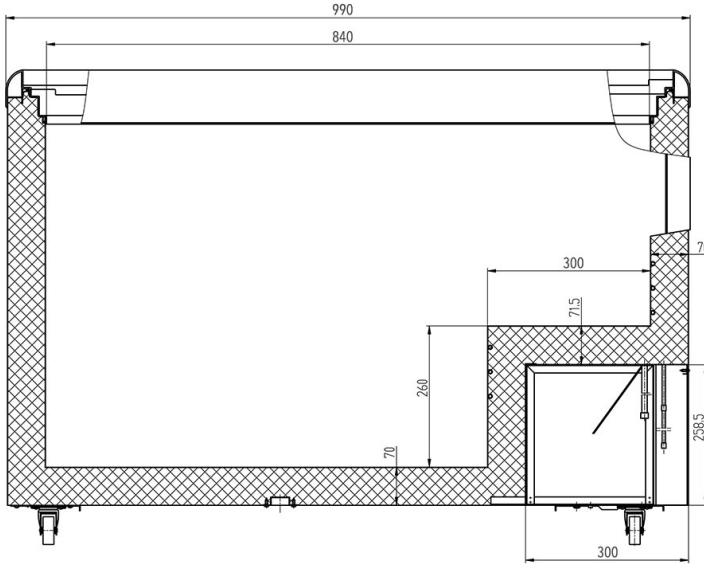
Warranty:

- One year limited warranty parts and labour
- Specifications subject to change without notice



FCFG-39

Specifications



Model	Baskets	Dimension (mm) (inch)			HP	Voltage	Amps	Capacity (L) (Cu Ft.)	Net Weight (KG) (LBS)	Temperature Range	NEMA Config.
		L	D	H							
FCFG-39	2	990	715	875	1/3+	115/60/1	3.5	269	64.9	≤ -26°C	5-15A
		39	28.18	34.5							