

efi sales Ltd.

Equipment for the Foodservice Industry
value + quality + service

Novelty Refrigeration

FCCG-50



FCCG-50

Features

Features:

- Durable white powder coated steel exterior with white precoated steel interior
- Temperature display
- PVC coated baskets included
- Sliding doors with curved top glass for easy access
- Built in lock to secure products
- Eco-friendly R-290 refrigerant
- Low profile casters with locks

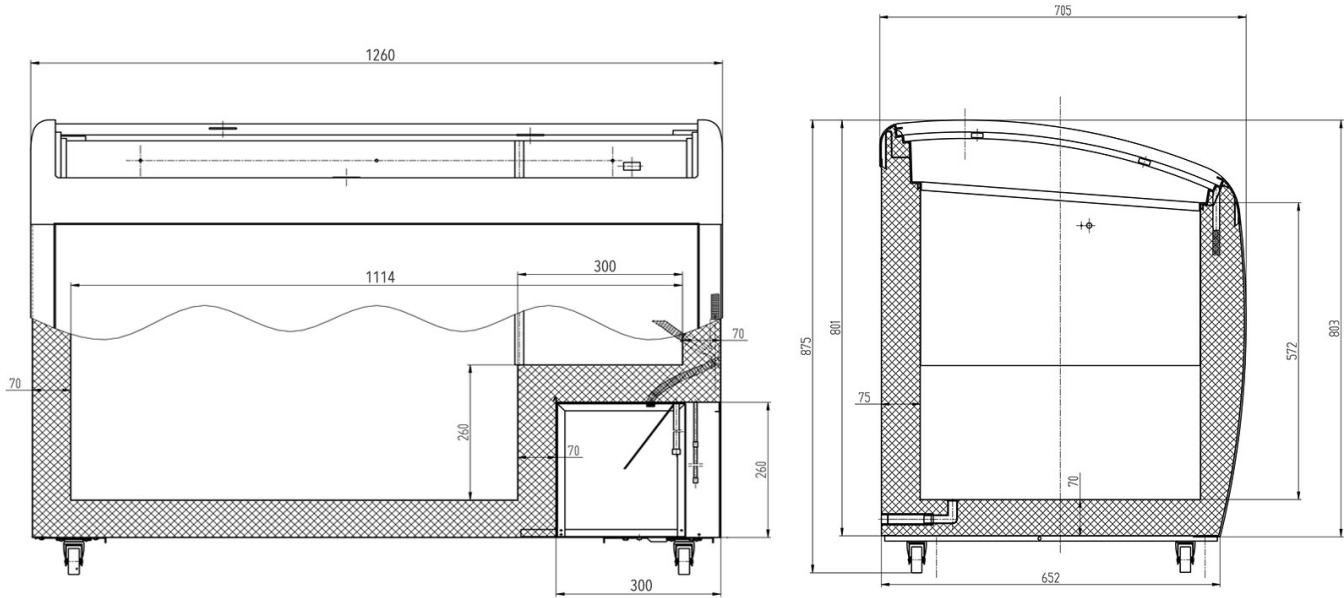
Warranty:

- One year limited warranty parts and labour
- Specifications subject to change without notice



FCCG-50

Specifications



Model	Baskets	Dimension (mm) (inch)			HP	Voltage	Amps	Capacity (L) (Cu Ft.)	Net Weight (KG) (LBS)	Temperature Range	NEMA Config.
		L	D	H							
FCCG-50	3	1260	705	875	2/5+	115/60/1	4	359.65	75.7	≤ -26°C	5-15A
		49.6	27.8	34.5							