

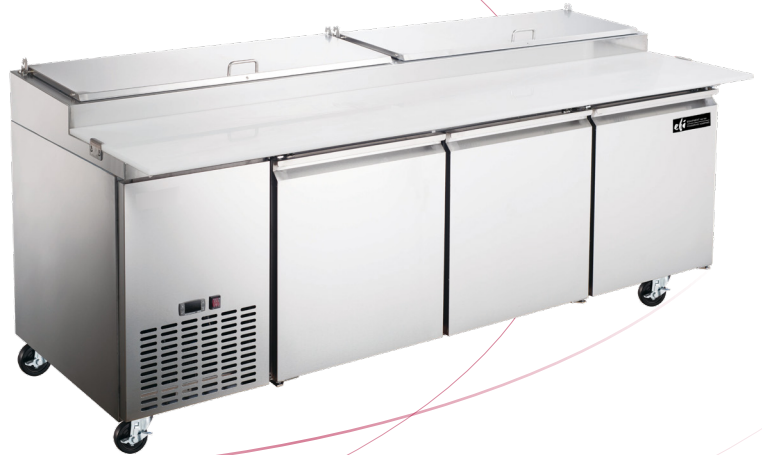


Equipment for the Foodservice Industry

value + quality + service

## Pizza Prep Tables

CPDR3-93CC



### CPDR3-93CC

### Features

#### Features

- High quality stainless steel cabinets
  - Features 24 gauge, Type 304 stainless steel interior walls, doors and bottom shelf. Features 24 gauge, Type 430 stainless steel exterior sides and doors
- Polyethylene cutting board
- Self-closing swing door w/90°stay open feature
- Recessed handles
- Removable gasket that is easy to clean and replace
- Adjustable/removable plastic coated wire shelves
- Removable lids/tops
- Foamed-in polyurethane cell insulation
- Auto evaporation of defrosting water
- Mechanical control of temperature
- Round corner design for inner bottom board
- Casters for easy movement
- Cold air circulation via fan for temperature balance
- Condenser unit located at front to provide easy access for cleaning and service if required

#### Warranty:

- 2 year parts and labour; 5 years on compressor
- Specifications subject to change without notice.

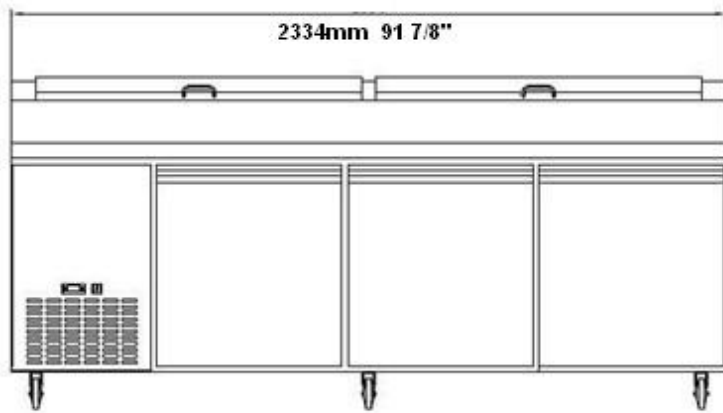


WARRANTY  
INFORMATION  
One year parts and  
labour. Five years on  
compressor

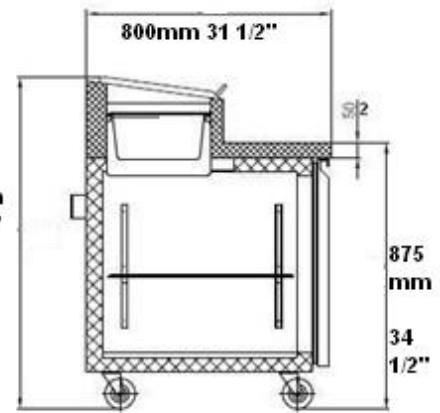


**CPDR3-93CC**

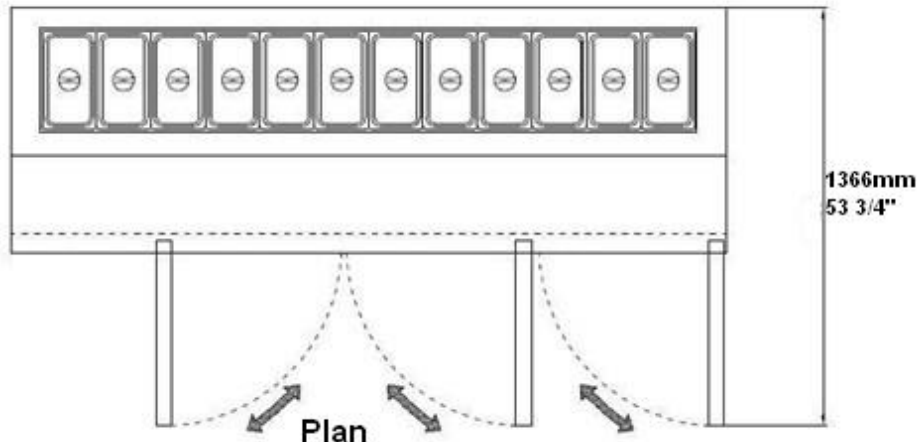
**Specifications**



**Elevation**



**Section View**



**Plan**

Model	Doors	Shelves	Dimension (mm) (inch)			HP	Voltage	Amps	Capacity (L) (Cu Ft.)	Net Weight (KG) (LBS)	NEMA Config.
			L	D	H						
CPDR3-93CC	3	3	2336.8	800.1	10008	1/4+	115/60/1	5.28	685.3	200	5-15P ⓘ
			92.0	31.5	42				24.2	441	