



Equipment for the Foodservice Industry

value + quality + service

Pizza Prep Tables

CPDR2-67CC



CPDR2-67CC

Features

Features:

- High quality stainless steel cabinets
 - Features 24 gauge, Type 304 stainless steel interior walls, doors and bottom shelf. Features 24 gauge, Type 430 stainless steel exterior sides and doors
- Polyethylene cutting board
- Self-closing swing door w/90°stay open feature
- Recessed handles
- Removable gasket that is easy to clean and replace
- Adjustable/removable plastic coated wire shelves
- Removable lids/tops
- Foamed-in polyurethane cell insulation
- Auto evaporation of defrosting water
- Mechanical control of temperature
- Round corner design for inner bottom board
- Casters for easy movement
- Cold air circulation via fan for temperature balance
- Condenser unit located at front to provide easy access for cleaning and service if required

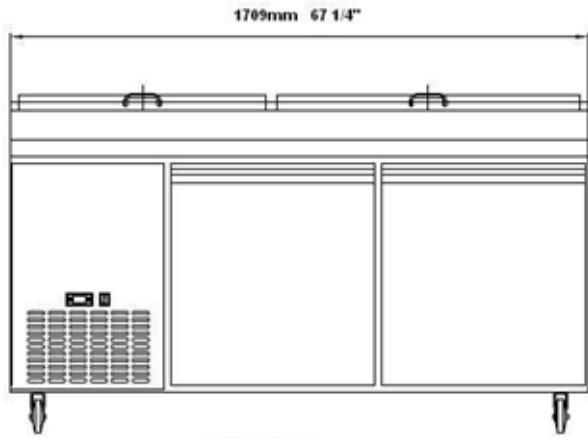
Warranty:

- 2 year parts and labour; 5 years on compressor
- Specifications subject to change without notice

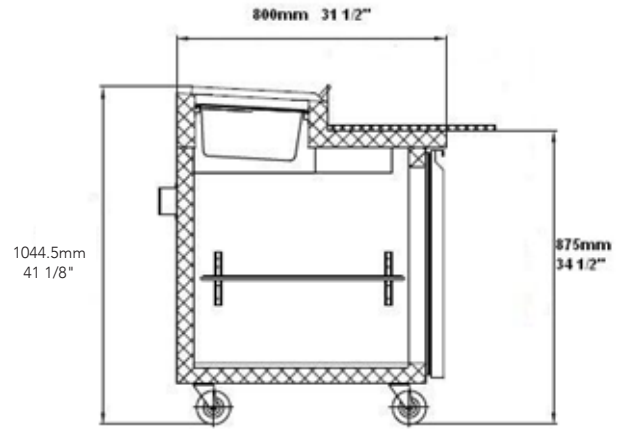


CPDR2-67CC

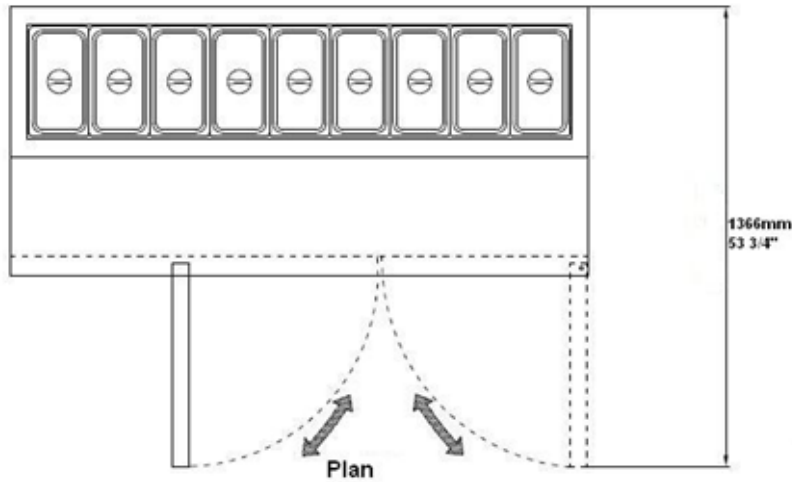
Specifications



Elevation



Section View



Plan

Model	Doors	Shelves	Dimension (mm) (inch)			HP	Voltage	Amps	Capacity (L) (Cu Ft.)	Net Weight (KG) (LBS)	NEMA Config.
			L	D	H						
CPDR2-67CC	2	2	1800	800.1	1088	1/5	115/60/1	3.42	477	155	5-15P ⓘ
			67.25	31.5	41.12				16.9	342	