

SteamCub™

25" EQUIPMENT STACKING STAND, OPEN TYPE
STAND, ALL STAINLESS STEEL CONSTRUCTION

Project _____
 Item _____
 Quantity _____
 FCSI Section 11400 _____
 Approved _____
 Date _____

SteamCub™ Boilerless Connectionless Steamer

Models

- UNISTAND25 (PART # 111717)
 FOR STACKING TWO:
 STEAMCRAFT® ULTRA 3'S (21CET8)
 OR
 STEAMCHEF™ 3'S (22CET3.1)



- Shown with optional:
- Pull-Out Shelf Kit (111724)
 - Pan Rack Kit (111726)

Standard Features

- Holes provided for securing unit into proper position and accommodating utilities
- All stainless steel welded construction with 1 1/4" square tubing
- Stationary shelf provided at bottom of stand
- Adjustable feet (rear feet are flanged for floor bolting)
- Ideal for mounting other kitchen equipment (toasters, slicers, etc.)

Options & Accessories

- Pull-Out Shelf Kit (111724)
- Pan Rack Kit (111726)
- Stainless Steel Wire Shelves (WS5)
- Stainless Steel Perforated Cafeteria Pans (PP)
- Stainless Steel Solid Cafeteria Pans (SP)

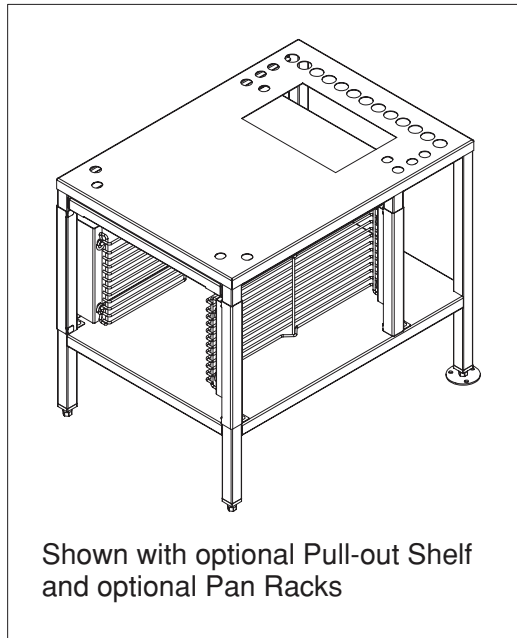
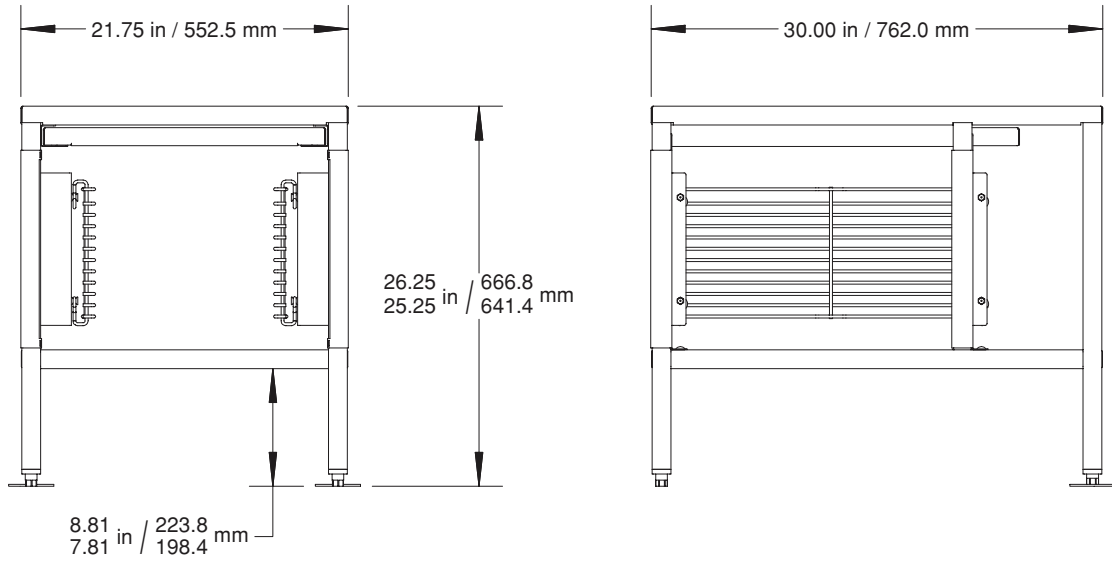
* Replaces models:

- ES222824S (SteamChef Stacking Stand)
- ES21230s (SteamCraft Stacking Stand)

Short Form Specifications

Shall be a Cleveland 25" Universal Equipment Stand UNISTAND25 (Part # 111717) with: Holes provided for securing unit into proper position and accommodating utilities; All stainless steel welded construction with 1 1/4" square tubing; Stationary shelf at bottom of stand; Adjustable feet (rear feet are flanged for floor bolting).

UNISTAND25 STACKING STAND



NOTES:

Cleveland Range reserves right of design improvement or modification, as warranted.
 Many regional, state and local codes exist and it is the responsibility of the owner and installer to comply with the codes.
 Cleveland Range equipment is built to comply with applicable standards for manufacturers. Included among those approval agencies are U.L./NSF#4 and CSA (AGA, CGA).

(NOT TO SCALE)