



Equipment for the Foodservice Industry  
value + quality + service

## COUNTERTOP DISPLAY CASES

CGSM-CT-2726



### CGSM-CT-2726

### Features

Features:

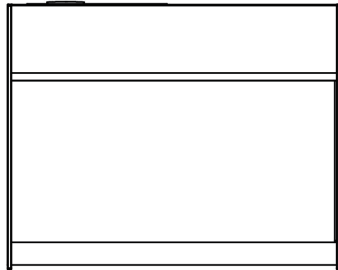
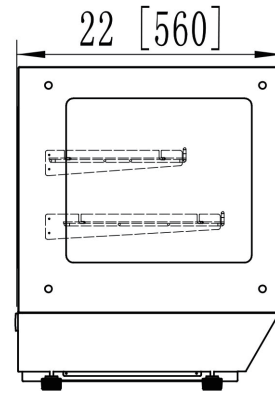
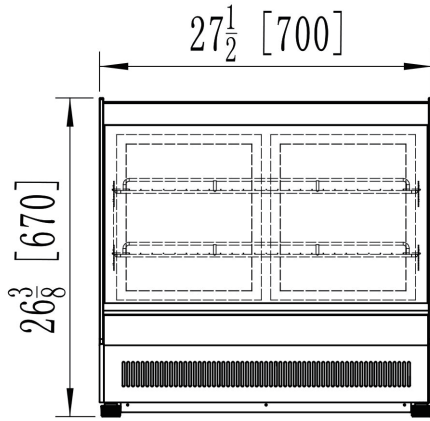
- Stainless steel exterior & interior with black frames
- Rear mount compressor with environmentally friendly R290 refrigerant
- Dixell digital controller
- Two (2) adjustable stainless steel shelves
- Defog feature to ensure the glass stays clear
- Maintains temperatures between 33°F - 41°F
- Magnetic door gasket(s) standard for positive door seal
- Two (2) rear sliding doors
- LED interior lighting
- Leveling legs


Warranty:

- Two year parts and labour; Five years on compressor. *For full warranty details visit <https://www.efifoodequip.com/warranty-info.php>*



**CGSM-CT-2726 Specifications**



Model	Refrigerant	Shelves	Dimension (mm) (inch)			HP	Voltage	Amps	Capacity (L) (Cu Ft.)	Net Weight (KG) (LBS)	Temperature Range	NEMA Config.
			L	D	H							
CGSM-CT-2726	R290a	2	700	560	670	1/5	115/60	2	120	65	2 ~ 8°C	5-15P 
			27.6	22.1	26.4				4.2	143	35 ~ 46.4°F	

Specifications subject to change without notice.