

# SOMERSET®

Tel: 978.667.3355

800.772.4404

Fax: 978.671.9466

Email: somerset@smrset.com

[www.smrset.com](http://www.smrset.com)



## CDR-1500

## DOUGH ROLLER

**IDEAL FOR PIZZA  
AS WELL AS:**

- Pie Crusts
- Pita Bread
- Roti
- Flour Tortillas
- Rolled In Dough
- Cookies
- Sheeting
- Sweet Doughs
- Calzones
- Cinnamon Rolls
- Pierogi

**HIGHLIGHTS:**

- Sheets 500-600pcs per hour up to 15" (38cm)
- Ships standard with synthetic, non-stick rollers
- Ergonomic design makes it easy and simple to operate
- Sheets dough to a uniform thickness in seconds
- All stainless steel construction offers safety, sanitation, speed, simplicity, durability, and low cost



**Compact, side operated,  
sheets up to 15" (38cm)  
diameter in seconds**

**SOMERSET INDUSTRIES, INC • 137 PHOENIX AVE • LOWELL, MA 01852 • U.S.A.**

CDR-1500 SYNTHETIC ROLLERS

CDR-1500M METALLIC ROLLERS

### FEATURES

- The most advanced **SIDE OPERATED** compact sheeter
- Spring loaded scrapers readily removable for easy cleaning
- Compact design, ideal for use in limited space
- Safety sensors for automatic shutoff
- Ergonomic design for easy operation
- Convenient side operation
- Large hopper accepts large pieces of dough
- Maintenance free drive mechanism
- Drive mechanism isolated from roller area
- Safe, simple, easy to operate, easy to clean
- Sanitary, heavy duty, all stainless steel welded construction
- Simple handle adjustments for exact uniform dough thickness
- Thickness stops available

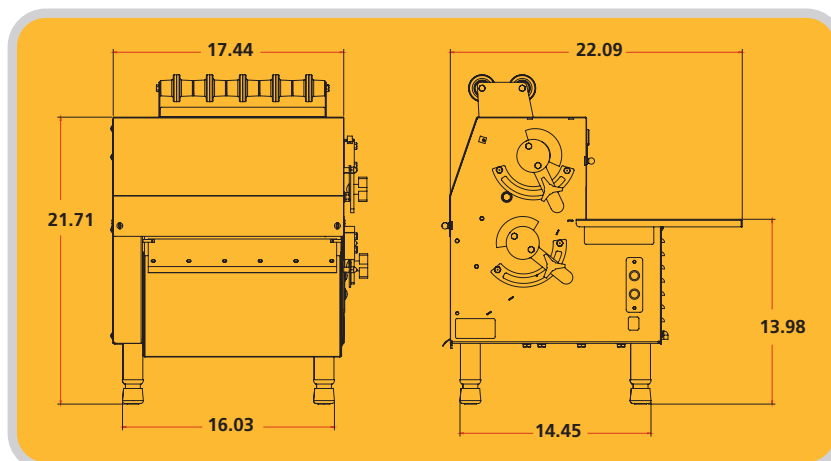


### INDUSTRY USES:

- Pizzerias
- Restaurants
- Institutions
- Schools
- Mexican establishments
- Other ethnic food production
- Indian Establishments
- Cafes
- Bakeries

### SPECIFICATIONS PATENT PENDING

(Specifications subject to change without notice)



**Rollers:** 3.5" dia. by 15" length  
(8.89 cm dia. by 38.10 cm length)

**Scrapers:** Synthetic, Spring Loaded, Removable

**Bearings:** Sealed Ball Bearings, Permanently Lubricated

**Gear Motor:** Heavy Duty 1/2 HP, Maintenance Free, Single Phase, 115V/60Hz or 220V/50Hz

**Finishing:** All Stainless Steel

**Legs:** 4" Adjustable, Stainless Steel

**Shipping Weight:** 170 lbs (77kgr)



APPROVED