



Equipment for the Foodservice Industry  
value + quality + service

## Back Bar Direct Draw Coolers (Stainless Steel)

CBBSDD1-24CC



### CBBSDD1-24CC Features

#### Features:

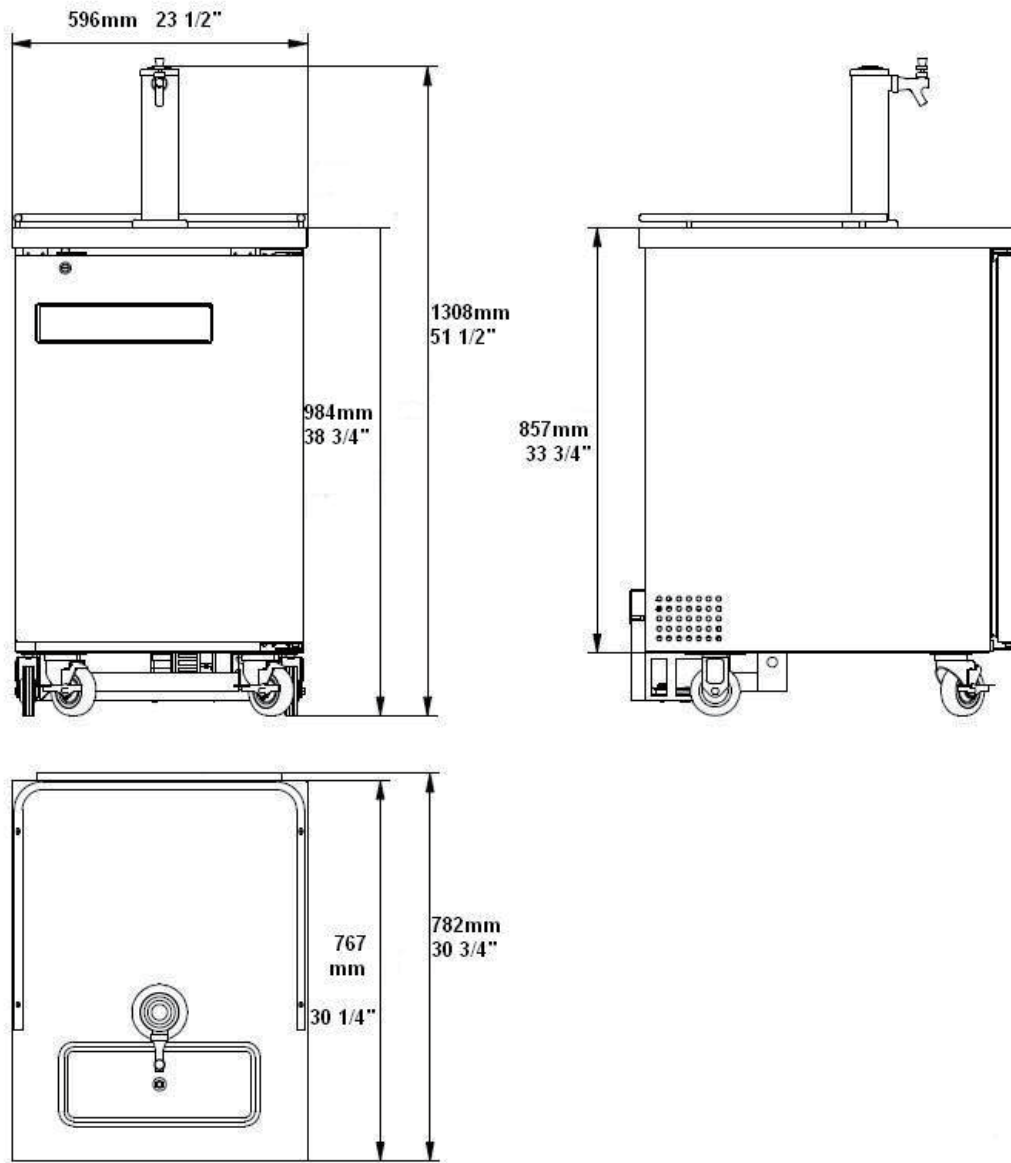
- All steel construction with two exterior options
- - Exterior front, side and counter covered in stainless steel
- Counter tops and interiors are made with Type 304 stainless steel
- Recessed handles
- Door equipped with locks for security
- Self-closing doors equipped to stay open when past 90 degrees
- Adjustable/removable plastic coated shelves
- Refrigeration system holds 33°F to 41°F (-0.5°C to 5°C) for optimum food preservation
- Removable door gasket
- Foamed-in polyurethane cell insulation
- Chrome plated taps ( 2 door unit - 1 tap; 3 door unit - 2 taps)

#### Warranty:

- Two year parts and labour; Five years on compressor. For full warranty details visit <https://www.efifoodequip.com/warranty-info.php>



**CBBSDD1-24CC Specifications**



Model	Doors	Dimension (mm) (inch)			HP	Voltage	Amps	Capacity 1/2 Barrels	Net Weight (KG) (LBS)	Temperature Range	NEMA Config.
		L	D	H							
CBBSDD1-24CC	1	596.9	782.3	985.5	1/6+	115/60/1	1.92	1	79.8	0.5 ~ 5°C	5-15P (H)
		23.5	30.8	38.8					176	33 ~ 41°F	

Specifications subject to change without notice.