

efi sales Ltd.

Equipment for the Foodservice Industry
value + quality + service

COUNTERTOP GLASS DOOR REFRIGERATOR

C1-52GDCT-L



C1-52GDCT-L Features

Features:

- 52 L countertop display refrigerator with light box
- Tempered glass door for maximum product visibility
- Black exterior with white interior
- Digital temperature control
- Adjustable temperature range between 0°C - 10°C

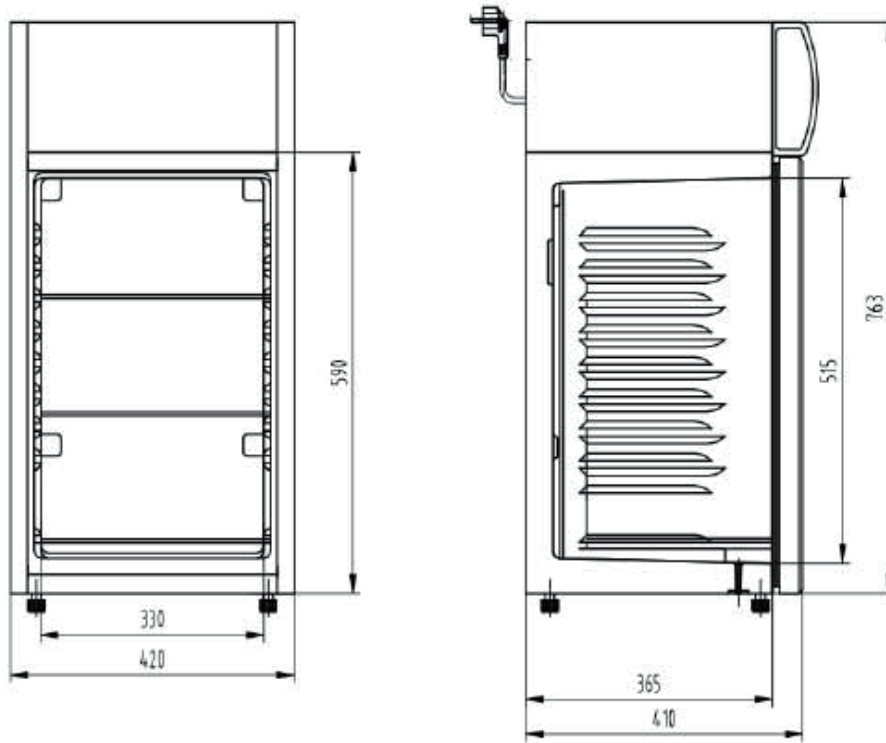
- LED interior lighting
- Adjustable shelves

Warranty:

- One year parts and labour; Five years on compressor. For full warranty details visit <https://www.efifoodequip.com/warranty-info.php>



C1-52GDCT-L Specifications



| Model | Refrigrant | Door Type | Shelves | Dimension (mm / inch) | | | Voltage | Power | Capacity | Net Weight (KG / LBS) | Temperature Range |
|-------------|------------|-----------|---------|-----------------------|------|------|---------|-------|----------|-----------------------|-------------------|
| | | | | W | D | H | | | | | |
| C1-52GDCT-L | R600a | Swing | 3 | 420 | 451 | 788 | 110/60 | 76 W | 52 L | 23 | 0 ~ 10°C |
| | | | | 16.5 | 17.8 | 31.0 | | | | 50.7 | 32 ~ 50°F |

Equipped with one NEMA 5-15P plug

Shipping Information

| Crate Dimensions (mm / inch) | | | Net Weight (KG / LBS) | Gross Weight (KG / LBS) |
|------------------------------|------|------|-----------------------|-------------------------|
| W | D | H | | |
| 502 | 529 | 847 | 23 | 25 |
| 19.7 | 20.8 | 33.3 | 50.7 | 55.1 |

Specifications subject to change without notice.