



Known for Reliability Since 1921

Increase your product yield and make tasty, flavorful, value-added products with the BIRO Model VTS-100 or Model VTS-500 Vacuum Tumblers. Both Tumblers have a $\frac{3}{4}$ HP vacuum pump motor that can evacuate the drum chamber quickly. The three stage timer on the VTS-500 lets you program relax time into your tumbling cycle for products such as hams or bellies. The Run/jog controls let you position the drum for easy cleaning or unloading. Heavy duty casters let you do your tumbling virtually anywhere in your plant. The drain hole in the drum makes cleanup a snap. Improve your profit margin with value-added products from the BIRO VTS-100 or the VTS-500 Vacuum Marinating Tumblers.



Model VTS-100



Optional- VTS-100/500
Quick Access Hinged
(water-protected) Control
Panel Cover -
Recommended in water
jet wash environments.

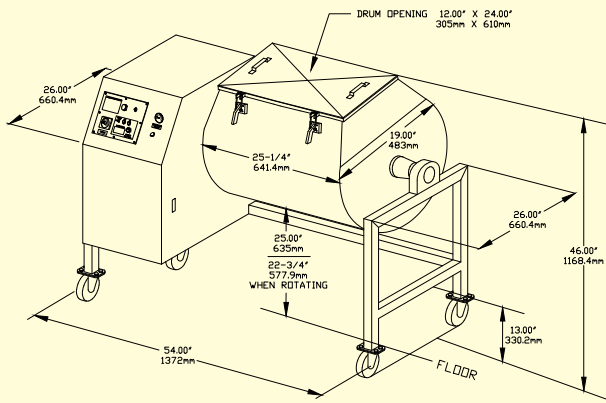


Model VTS-500

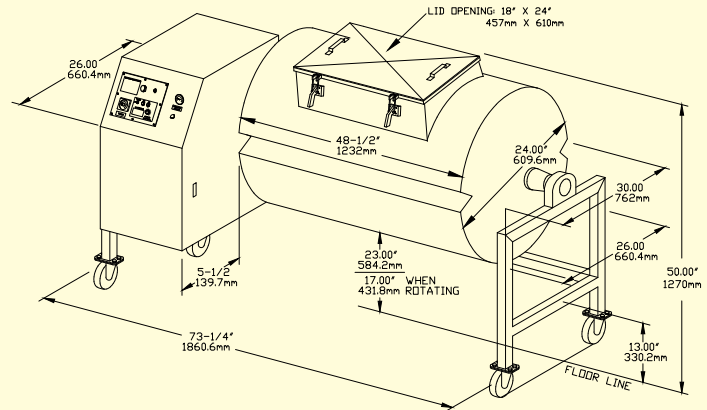
VTS-100 / 500

MODEL SPECIFICATIONS

Model VTS-100



Model VTS-500



Models	VTS-100 Vacuum Marinating Tumbler	VTS-500 Vacuum Marinating Tumbler																																													
Electrical	115 Volts, 60 Cycle, 1 Phase has 8' Cord and Plug; 220Volts, 50/60 Cycle, 1 Phase has 8' Cord, No Plug.																																														
Construction	Stainless steel drum and frame.																																														
Motors	Controls are NEMA 4X rated <table border="1"> <thead> <tr> <th>MOTOR</th> <th>HP</th> <th>TYPE</th> <th>KW</th> <th>VOLTS</th> <th>AMPS</th> <th>HERTZ</th> <th>PH</th> <th>CODE</th> </tr> </thead> <tbody> <tr> <td>DRIVE</td> <td>3/4</td> <td>TEFC</td> <td>.56</td> <td>115/230</td> <td>12/6</td> <td>60</td> <td>1</td> <td>STD</td> </tr> <tr> <td>PUMP</td> <td>3/4</td> <td>OPDP</td> <td>.56</td> <td>115/230</td> <td>12/6</td> <td>60</td> <td>1</td> <td>STD</td> </tr> <tr> <td>DRIVE</td> <td>3/4</td> <td>TEFC</td> <td>.56</td> <td>220</td> <td>7</td> <td>50</td> <td>1</td> <td>EC</td> </tr> <tr> <td>PUMP</td> <td>3/4</td> <td>OPDP</td> <td>.56</td> <td>220</td> <td>7</td> <td>50</td> <td>1</td> <td>EC</td> </tr> </tbody> </table> EC = Extra Cost STD = Standard OPDP = Open Drip Proof TEFC = Totally Enclosed Fan Cooled		MOTOR	HP	TYPE	KW	VOLTS	AMPS	HERTZ	PH	CODE	DRIVE	3/4	TEFC	.56	115/230	12/6	60	1	STD	PUMP	3/4	OPDP	.56	115/230	12/6	60	1	STD	DRIVE	3/4	TEFC	.56	220	7	50	1	EC	PUMP	3/4	OPDP	.56	220	7	50	1	EC
MOTOR	HP	TYPE	KW	VOLTS	AMPS	HERTZ	PH	CODE																																							
DRIVE	3/4	TEFC	.56	115/230	12/6	60	1	STD																																							
PUMP	3/4	OPDP	.56	115/230	12/6	60	1	STD																																							
DRIVE	3/4	TEFC	.56	220	7	50	1	EC																																							
PUMP	3/4	OPDP	.56	220	7	50	1	EC																																							
Drum Capacity	100 lbs. (45.4 kg) Maximum 100 lbs. (45.4 kg) Approximate, Optimum tumbling load.	500 lbs. (227 kg) Maximum 440 lbs. (199 kg) Approximate, Optimum tumbling load.																																													
Dump Height Less Lid	30" (762mm), Drum opening at 9 O'clock position. 25.75" (654mm), Drum opening at 6 O'clock position.	24" (609mm), Drum opening at 9 O'clock position. 21.125" (536.6mm), Drum opening at 6 O'clock position.																																													
Drive Motor	3/4 HP (.56kw) DC, Variable speed (0-14 RPM), 60:1 Transmission, TEFC (Totally Enclosed Fan Cooled).																																														
Vacuum Pump	3/4 HP (.56kw), 60 cycle, 1 phase - 10 CFM - Rotary vane type																																														
Timer	0-50 Minute, Interval mode timer (dial).	0-999 Min., Programmable multi-function timer w/ Time inhibit.																																													
Tumble Speed	0 - 14 RPM																																														
Safety Standard	Photoelectric eye, for safety shut down.																																														
Standard Features	5" Locking swivel casters • Drain cap wrench • External moisture trap with removal tool • Internal in-line vacuum filter • 1 Extra filter element • 8' cord and plug 115V • 8' cord NO plug 220V • 4 Quick release toggle clamps on lid • Silicone lid gasket • Operating and Safety manual.																																														
Options (EC)	220-50-1 or 230-60-1 • Leg extensions • Stainless steel swivel locking (delrin bearing) casters with stainless steel (swivel plate) ball bearings • Reverse switch momentary • Programmable multi-function timer • Stainless steel crimped fittings on hose • Protective enclosure for control panel • 1 HP Heavy duty vacuum pump.	220-50-1 or 230-60-1 • Leg extensions • Stainless steel swivel locking (delrin bearing) casters with stainless steel (swivel plate) ball bearings • Reverse switch momentary • Stainless steel crimped fittings on hose • Protective enclosure for control panel • 1 HP Heavy duty vacuum pump.																																													
Certifications	N.S.F.	U.L. & N.S.F.																																													
Weight	Uncrated: 435 lbs. (198 kg) Approximate Crated: 640 lbs. (290 kg) Approximate	Uncrated: 645 lbs. (293 kg) Approximate Crated: 990 lbs. (449 kg) Approximate																																													
Dimensions Crated	L = 72" (1829mm) x W = 42" (1067mm) x H = 53" (1346mm).	L = 96" (2438mm) x W = 42" (1067mm) x H = 57" (1448mm).																																													
Allowable Workspace	A required minimum distance of 12" from back of machine to nearest object must be maintained for rotating drum.																																														

BIRO MANUFACTURING COMPANY
1114 WEST MAIN STREET
MARBLEHEAD, OH 43440-2099 U.S.A.

Phone: (419) 798-4451 • Fax: (419) 798-9106

www.birosaw.com • sales@birosaw.com

ITEM NO.: LIT-VTS-100/500-328

FORM NO.: Md VTS-100/500-328-12-15-4-B

All specifications contained herein are subject to change without notification.

Service is available from locations worldwide