

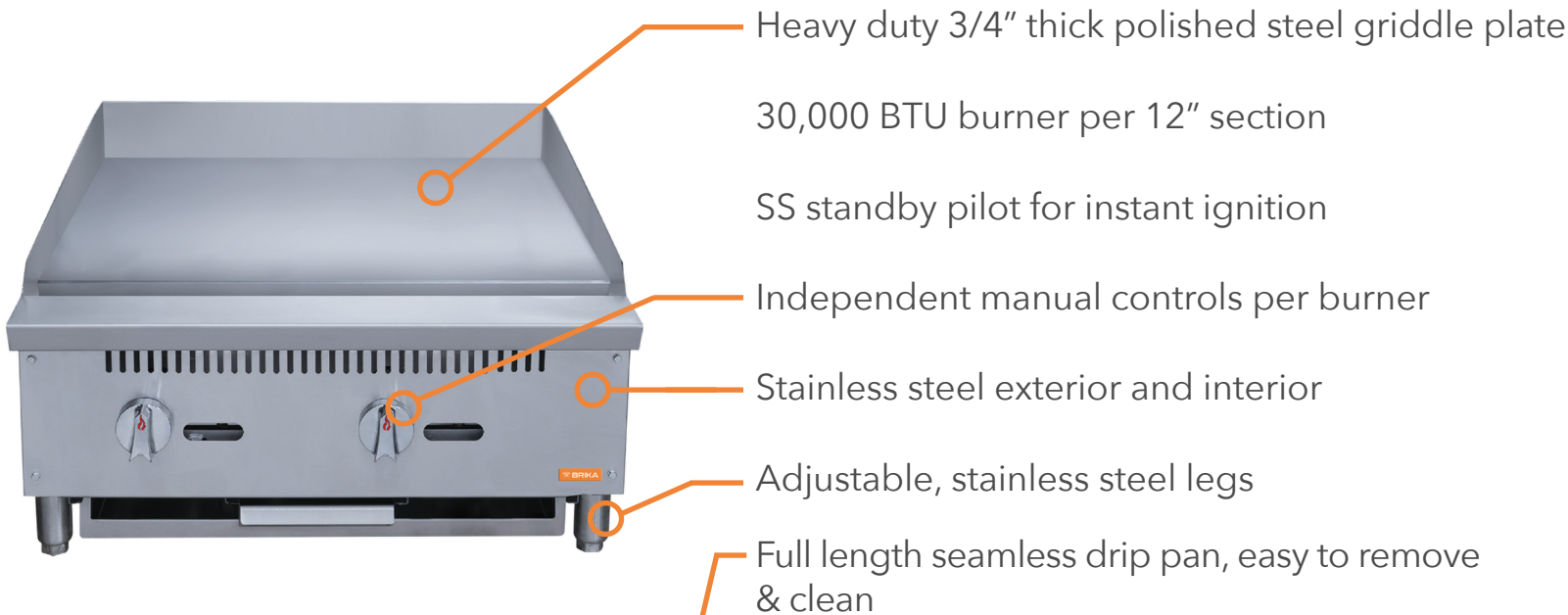


# BRIKA

## BMG-24

ROBUST DESIGN  
HIGH QUALITY STAINLESS STEEL

# MANUAL GRIDDLE 24 INCHES



**Dimensions (wxdxh)** 24" x 30" x 15<sup>1/4</sup>"

**Cooking Area (wxd)** 24" x 20<sup>1/2</sup>"

**Burners** 2 x 30,000 BTU/H (total 60K)

# BMG-24

## DELIVERY

Box dimensions (w×d×h)

26<sup>1/8"</sup> x 32<sup>5/8"</sup> x 20<sup>1/2"</sup>

Weight

net: 176 lbs

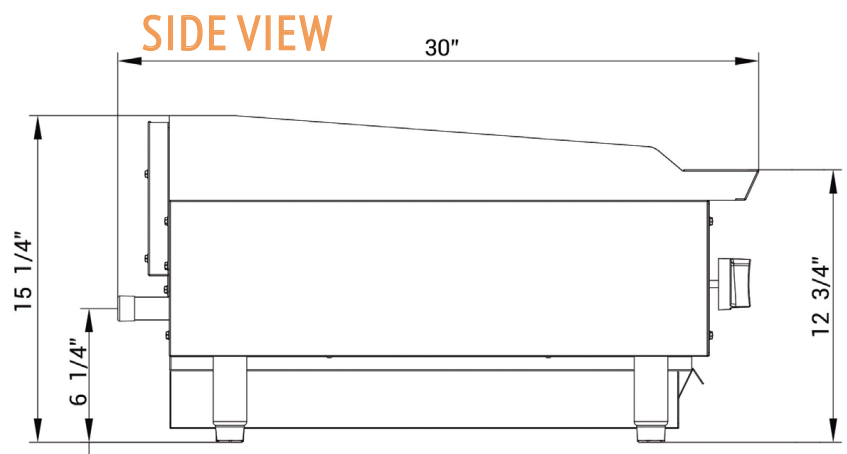
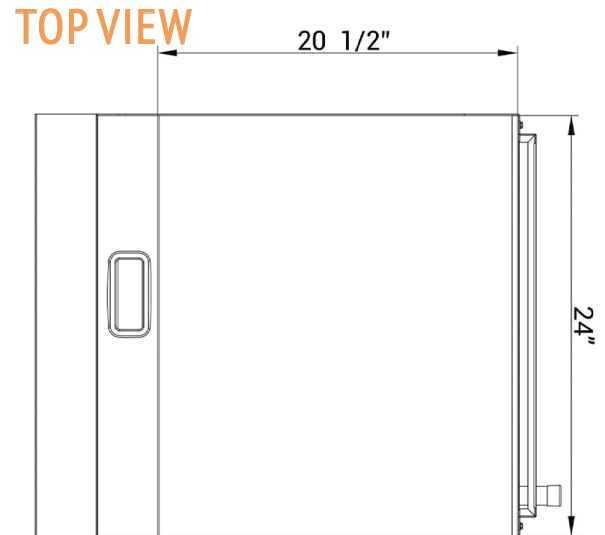
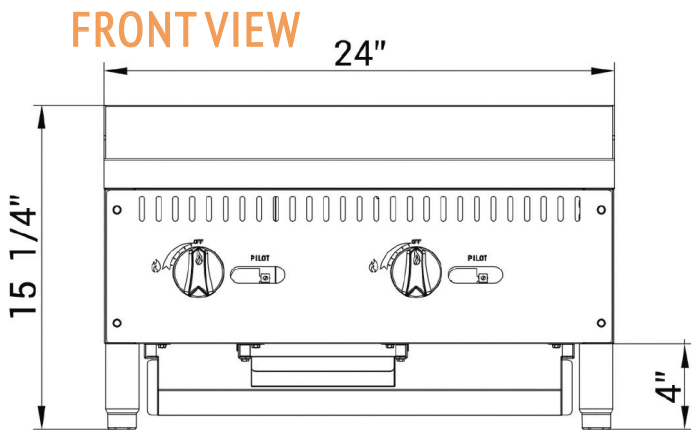
ship: 198 lbs

## GAS POWERED

Natural	<b>Source</b>	Propane
4"WC	<b>Pressure</b>	10"WC
34#	<b>Nozzle</b>	49#

3/4" NPT **Connection** 3/4" NPT

if to be used above 2000 ft, specify altitude and gas type when ordering



ASSEMBLY/SUPPORT



MORE PRODUCTS



## SAFETY

Keep combustibles a minimum of 17" away from the equipment. Keep a clearance of 4" at the rear.

**f** We're on social media! 