



BRIKA

BGR-4B-G12

GAS RANGE 4 BURNERS + 12" GRIDDLE

ROBUST DESIGN
HIGH QUALITY STAINLESS STEEL



Stainless steel tubing for burners and pilot

Stainless steel exterior including front, sides, kick plate, back guard & over shelf

Heavy duty 12" X 12" removable cast iron top grates

Oven Temperature range between 175° & 500°F

Oven cooking area: 26"_[w] x 26"_[d] x 15"_[h]

Two (2) chrome oven rack per oven standard; 4 position oven rack guides.

Enamel interior oven for easy cleaning, with full width stainless steel crumb tray.

Fits bun pans either widthwise or lengthwise.

Dimensions (wxdxh) 60" x 31^{1/2}" x 56"

Cooking Area (wxd) 24"x24"_(HOT PLATES) 12"x20"_(GRIDDLE)

Burners LPG/NG: 1 x 35,000 BTU/H _(OVEN)

LPG/NG: 1 x 28,000 BTU/H _(GRIDDLE)

LPG: 4 x 30,000 BTU/H _(HOT PLATES)

NG: 4 x 33,000 BTU/H _(HOT PLATES)

LPG TOTAL: 183K NG TOTAL: 195K

BGR-4B-G12

DELIVERY

Box dimensions (wxdxh)

38" x 31^{4/5}" x 38^{1/5}"

Weight

net: 376 lbs

ship: 462 lbs

GAS POWERED

Natural **Source** Propane

5"WC **Pressure** 10"WC

38# **Nozzle** (OVEN) 49#

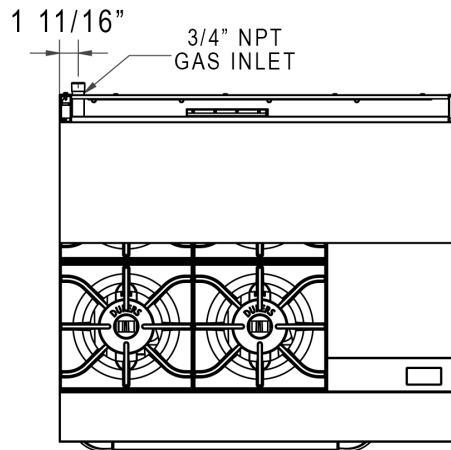
41# **Nozzle** (HOT P.) 52#

43# **Nozzle** (GRIDDLE) 53#

3/4" NPT **Connection** 3/4" NPT

if to be used above 2000 ft, specify altitude and gas type when ordering

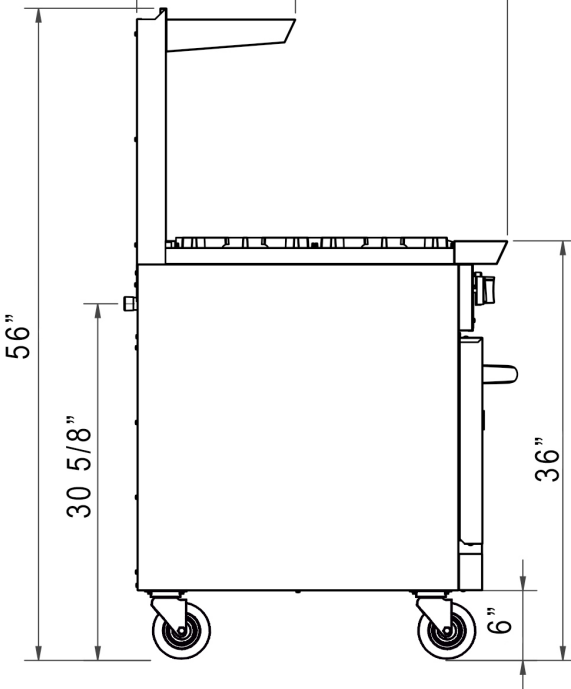
TOP VIEW



SIDE VIEW

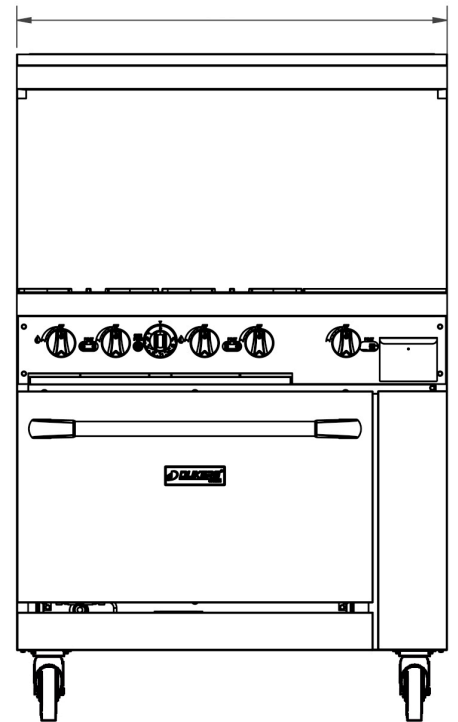
31 1/2"

13 1/2"



FRONT VIEW

36"



ASSEMBLY/SUPPORT



MORE PRODUCTS



SAFETY

Keep combustibles a minimum of 17" away from the equipment. Keep a clearance of 4" at the rear.

 We're on social media! 

1.800.567.3620 | WWW.BRIKA.COM