

Project \_\_\_\_\_  
Item \_\_\_\_\_  
Quantity \_\_\_\_\_  
CSI Section 11400  
Approved \_\_\_\_\_  
Date \_\_\_\_\_

# E24 Series Heavy Duty

Electric Griddles

## Models

- E24-24G
- E24-36G
- E24-48G
- E24-60G
- E24-72G



Model E24-36G

## Standard Features

- Stainless steel front and sides
- 4" (102mm) Sanitary legs
- Recovery signal light
- 100°F (35°C) to 450°F (235°C) hydraulic thermostat with indicator light per each 12" width of griddle
- One-Year limited parts & labor warranty (USA & Canada only)

## Optional Features

- Stainless steel back
- Grooved griddle plate, in 12" (305mm) sections
- 460 volt (for complete amperage draws contact factory)

Note: Stands are available see form # CS24/CSD

## Specifications

- Heavy duty electric griddles available in five (5) widths; 24" (610mm), 36" (914mm), 48" (1219mm), 60" (1524mm) and 72" (1829mm).
- High performance, high volume production with even, consistent, controlled temperatures.
- 3/4" (19mm) thick griddle plate complete with grease trough and splash-guard.
- Optional grooved griddle tops in 12" (305mm) wide sections.
- All models are designed as freestanding units or bank with other E24 series equipment or with G24 series gas counter.
- Stainless steel front and sides.
- 100°F (35°C) to 450° F (235° C) hydraulic thermostats with pilot lights are provided for each 12" (305) width of griddle surface.
- Even frying temperatures are assured by specially designed pressure clamped tubular heat elements.



E24 Series Heavy Duty Electric Griddles

LOADING CHART																	
Model	Total Kw	Nominal Amperes Per Line															
		3 Phase												Single Phase			
		240V			208V			380V			480V			240V	208V	380V	480V
		X	Y	Z	X	Y	Z	X	Y	Z	X	Y	Z				
E24-24G	8.0	16.5	16.5	29.0	19.0	19.0	33.0	10.53	10.53	18.23	8.33	8.33	14.43	33.50	38.50	27.05	16.67
E24-36G	12.0	29.0	29.0	29.0	33.5	33.5	33.5	18.23	18.23	18.23	14.43	14.43	14.43	50.00	58.00	31.58	25.00
E24-48G	16.0	44.0	29.0	44.0	51.0	33.0	51.0	27.85	18.23	27.85	22.05	14.43	22.05	67.00	77.00	42.11	33.33
E24-60G	20.0	44.0	44.0	58.0	51.0	51.0	66.5	27.85	27.85	36.46	22.05	22.05	28.86	83.50	96.00	52.63	41.66
E24-72G	24.0	58.0	58.0	58.0	66.0	66.0	66.0	36.46	36.46	36.46	28.86	28.86	28.86	100.00	116.00	63.16	50.00

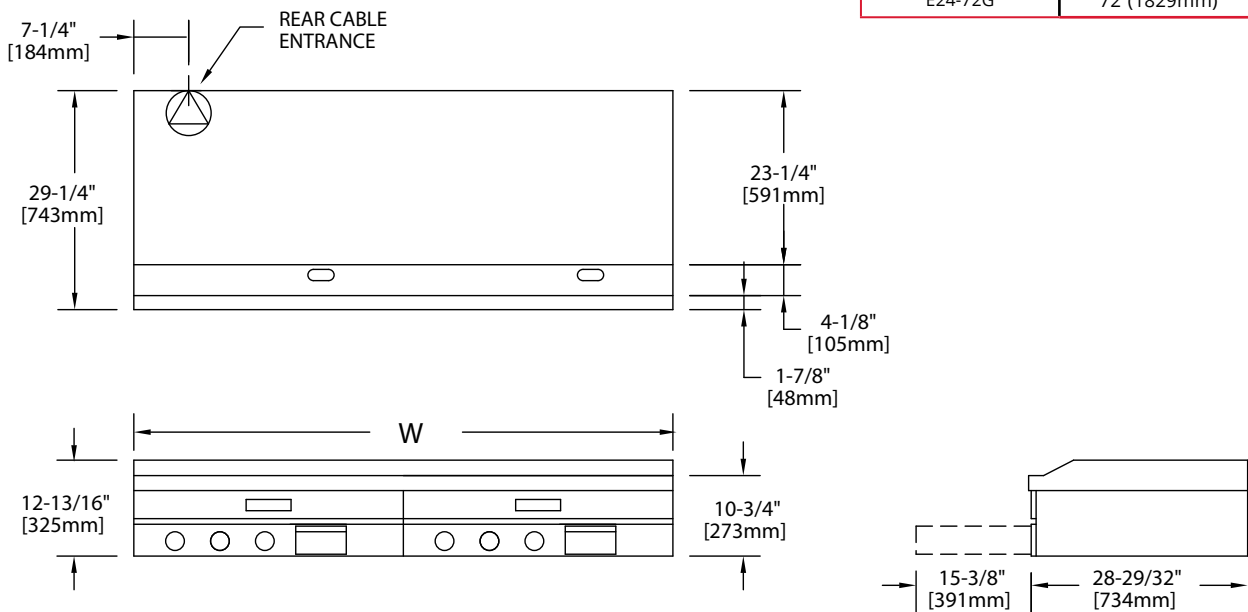
Export voltage available on request - Specify wiring required  
 kW loadings are reduced on 220 volt systems.

Standard wiring 240 volt (220/240) or 208 volt (197/219) single or three phase-Specify which is required Optional 460V elements are rated 460-480V.

Model	Surface Capacities							
	Meat Patties 3-1/2 oz (350°F/177°F)		Fried Egg (300°F/149°C)		Minute Steaks 4 oz. (112g) (350°F/177°C)		Pancakes 4" (101mm) Dia (400°F/204°C)	
	Load	Hourly	Load	Hourly	Load	Hourly	Load	Hourly
E24-24G	33	300	27	613	27	267	31	460
E24-36G	50	450	40	920	40	400	46	690
E24-48G	67	600	53	1227	53	533	61	920
E24-60G	83	750	67	1533	67	667	77	1150
E24-72G	100	900	80	1840	80	800	92	1380

Installation Clearances	
Side Bar	Rear
1"(25mm)	1"(25mm)

Model	W
E24-24G	24"(610mm)
E24-36G	36"(914mm)
E24-48G	48"(1219mm)
E24-60G	60"(1524mm)
E24-72G	72"(1829mm)



NOTE: Add 4" (102mm) to height if sanitary legs are used.

Garland products are not approved or authorized for home or residential use, but are intended for commercial applications only. Garland will not provide service, warranty, maintenance or support of any kind other than in commercial applications.

Welbilt reserves the right to make changes to the design or specifications without prior notice.