

Garland Induction

INSTINCT SERIES - COUNTERTOP DUAL HOB 7 & 10kW

Project _____
 Item _____
 Quantity _____
 CSI Section 11400
 Approved _____
 Date _____

Models

- INSTINCT Hob 7 (formerly SHDUBA7000)
- INSTINCT Hob 10 (formerly SHDUBA10000)

powered by
INDUCS



INSTINCT Hob 7 / 10

Standard Features

- Realtime Temperature Control System RTCSmp®
- 2 x 12 power levels
- Warm-holding function from 77° to 212°F (25° to 100°C)
- Timer function
- Energy efficient
- Convenient and reliable
- Heats up quickly
- Overheat protection
- Easy to clean, high temperature ceran glass top
- LED display
- Simple and intuitive knob: "Tap and Turn"
- Includes plug and cord (6ft. - 1.8m)



Properties

- Continuous temperature measurement at the bottom of the pan with RTCSmp® technology (Realtime Temperature Control System multi-point)
- Consistent power transfer over the entire cooking time for optimal cooking results
- Direct heat transfer eliminates heat in the area around the hob
- Cool to the touch cooking surface means no burned on food after cooking
- Conversion of the temperature display from degrees F to degrees C
- Reduction of the maximum power from 100% to 25%
- Two separate temperature zones on the unit
- Automatic pan detection to vary the operating frequency to match the quality of the pans being used
- Automatic shut-off feature prohibits overheating
- The hob adjusts to the power available
- Induction cooking requires use of induction-compatible cookware
- Warranty: 2 years on parts & labor (US and Canada only)

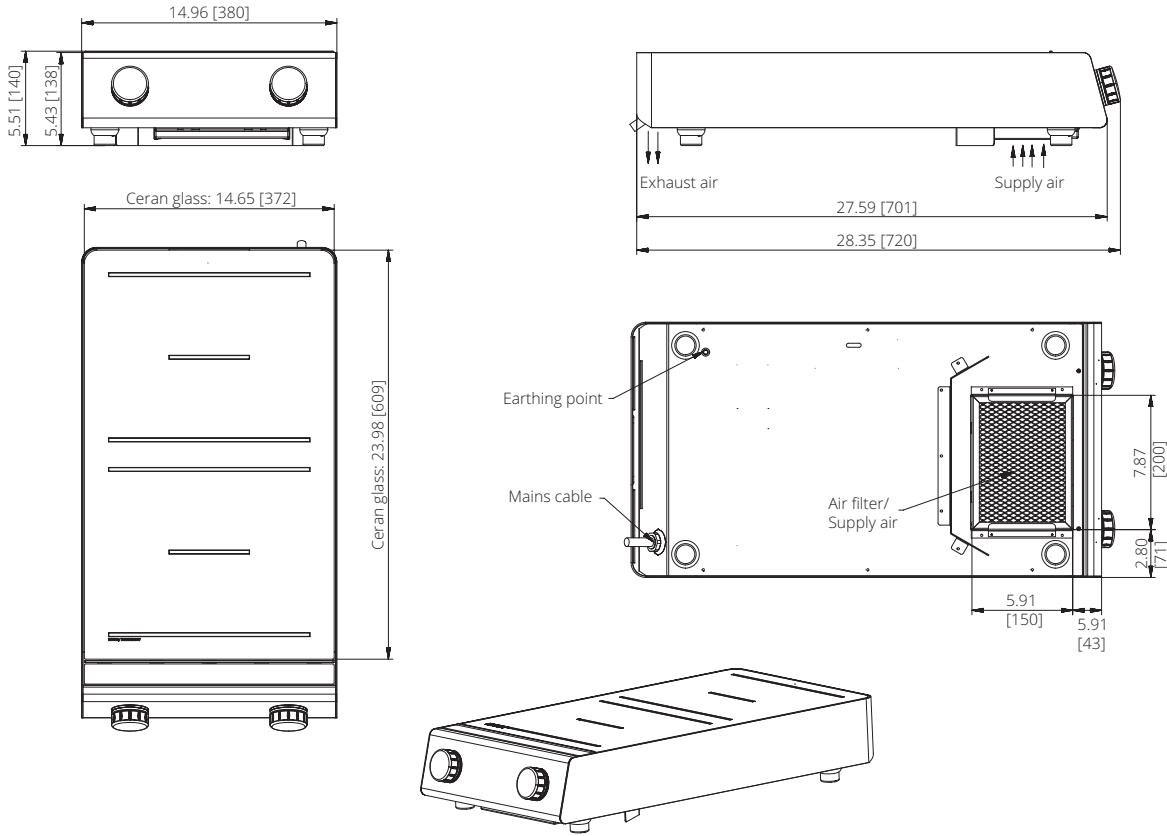
Advanced Features

- Even heat distribution across the entire cooking surface
- Height-adjustable, locking feet
- Removable, washable and reusable air filter
- Incoming Voltage Detection
- Easy Power Reduction
- Quiet ventilation for less noise





INSTINCT™
 GARLAND INDUCTION HOB (COUNTER-TOP), 2 COOKING ZONES 14.65 x 23.98 inches



Dimensions are specified in inches [mm]



Number of heating zones	2
Ceran glass surface B x D	14.65 x 23.98 inches / 372 x 609 mm
Inductor diameter	8.7 inches / 220 mm
Power levels	2 x 12
Warm-holding function	2 x 77 to 212°F / 25 to 100°C
Housing	Stainless steel

Model	INSTINCT HOB 7		INSTINCT HOB 10	
Model Number	GIIC-DH7.0		GIIC-DH10	
Dimensions W (L) x D (P) x H	14.96 x 28.35 x 5.51 inches [380 x 720 x 140 mm]		14.96 x 28.35 x 5.51 inches [380 x 720 x 140 mm]	
Weight	47 lbs [21 kg]		47 lbs [21 kg]	
Electrical Specifications	3 Phases		3 Phases	
Power, Watts	2 x 3500W - 20 amp (max 3500, can be reduced individually)		2 x 5000W - 28 amp (max 5000, can be reduced individually)	
Electrical supply V/Hz	208-240 V/50-60 Hz/3	380-440 V/50-60 Hz/3	208-240 V/50-60 Hz/3	380-440 V/50-60 Hz/3
Certification Marks	UL	CE	UL	CE
Plug (to precise at time of order)	 NEMA 15-50P	 EU 5-Pole	 NEMA 15-50P	 EU 5-Pole
Shipping Information				
Dimensions W (L) x D (P) x H	37.80 x 20.10 x 10.63 inches [960 x 510 x 270 mm]		37.80 x 20.10 x 10.63 inches [960 x 510 x 270 mm]	
Weight	56 lbs [25 kg]		56 lbs [25 kg]	

Note:
 Garland products are not approved or authorized for home or residential use, but are intended for commercial applications only.
 Garland will not provide service, warranty, maintenance or support of any kind other than in commercial applications.

Welbilt reserves the right to make changes to the design or specifications without prior notice.