

Project _____
Item _____
Quantity _____
CSI Section 11400
Approved _____
Date _____

Portable Oil Filters

Portable Oil Filters

Models

- | | | | |
|-----------------------------|----------------------------|---------------------------------------|------------------------------|
| • PF50
<i>Previously</i> | • PF80
<i>(MF90/80)</i> | • PF80LP
<i>(PF95LP/MF90/80LP)</i> | • PF110
<i>(MF90/110)</i> |
|-----------------------------|----------------------------|---------------------------------------|------------------------------|



PF50



PF80

Standard Features

- 50-lb. (25 liter), 80-lb. (40 liter) and 110-lb. (50 liter) oil capacity
- Reversible pump actively pumps used oil from the frypot and filtered oil back to the frypot
- Fast - filters a 50-lb. fryer in less than 5 minutes
- Simple to use. Easy to clean.
- 4 GPM, 1/3 H.P. heavy-duty motor
- 5' (152.4 cm) nickel plated wand with non-heat conducting handle
- Heated wand suction line
- Cover allows for safe and easy storage
- Durable stainless steel pan and pump housing
- Swivel casters
- Filter starter kit
- LP model is low profile, fitting under most fryer drains

Options & Accessories

- See Frymaster Price List for filter supplies and optional filtering accessories

Specifications

Designed to make daily filtration easy, quick and efficient

Frymaster's durable portable filters are designed to support routine oil filtration which preserves oil life and maintains consistent fried food quality. Crumbs, sediment, and by-products created by high-heat frying take a toll on oil life unless a daily system of filtration and frypot cleaning is in place.

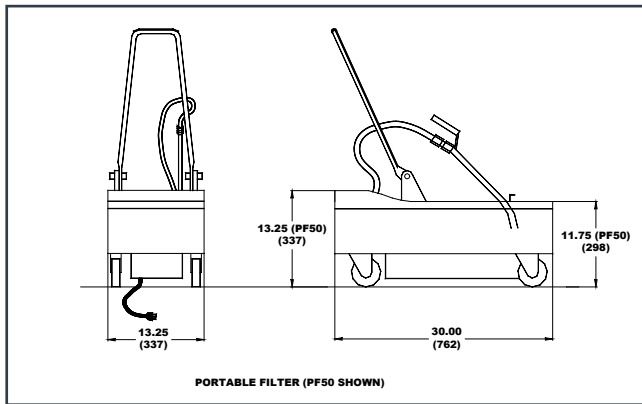
The filters' powerful 4 GPM, 1/3 H.P. heavy-duty pump circulates the used oil through the filter media to trap the crumbs, sediment, and by-products that compromise flavor profiles and reduce useful oil life. The pump then returns the clean filtered oil back to the frypot. Cleanup is easy, simply remove the filter media.

The 5' wand returns filtered oil with ease, simply reaching the frypot to wash crumbs from the walls and the bottom. The wand suction line heater eliminates clogging with all oil types. Used oil is pumped from and filtered oil is returned to the frypot.

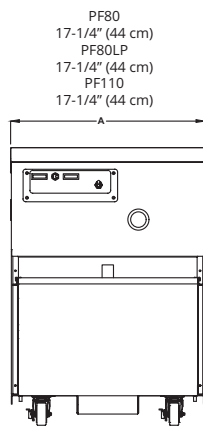
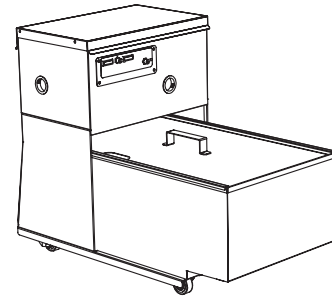
Frymaster's portable filter offerings support the range of Frymaster and Dean fryers.



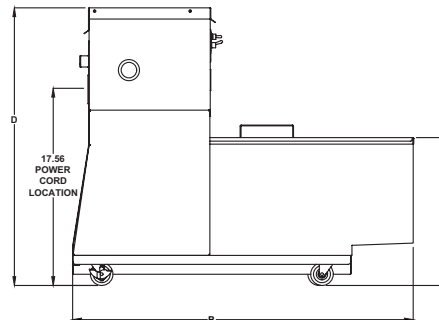
PF50 Only



Portable Filter (PF80, PF80LP & PF110 shown)



PF80
24-3/4 (63 cm)
PF80LP
24-3/4 (63 cm)
PF110
24-3/4 (63 cm)



PF80
11-1/4" (28 cm)
PF80LP
10-1/2" (27 cm)
PF110
13-1/4 (33 cm)

PF80
30-1/4" (77 cm)
PF80LP
38-5/8" (98 cm)
PF110
30-1/4" (77 cm)

DIMENSIONS

MODEL NO.	OIL CAPACITY	OVERALL SIZE (cm)				SHIPPING INFORMATION						
		A WIDTH	B DEPTH	C TANK HEIGHT FRONT	D OVERALL HEIGHT	WEIGHT	CLASS	CU.FT.	DIMENSIONS (cm)			
									WIDTH	DEPTH	HEIGHT	
PF50	50 lb. (25 liter)	13.25"	30"	11.75"	13.25" w/o Handle	120-lb. (54.4 kg)	92.5	7.63	16-3/4" (42.5)	31-1/2" (80.0)	25" (63.5)	
PF80	80 lb. (40 liter)	17.25"	30.25"	11.25"	24.75"	120-lb (54.4 kg)	92.5	18	24" (60.9)	39-3/4" (100.9)	33" (83.8)	
PF80LP	80 lb. (40 liter)	17.25"	38.625"	10.5"	24.75"	147-lb (67.0)	92.5	18	24" (60.9)	39-3/4" (100.9)	33" (83.8)	
PF110	110 lb. (55 liter)	17.25"	30.25"	13.25"	24.75"	125-lb (57.0 kg)	92.5	18	24" (60.9)	39-3/4" (100.9)	33" (83.8)	

POWER REQUIREMENTS

PF50: 120V/60 Hz 1 Ph 9 A
 PF80: 120V/60 Hz 1 Ph 6.2 A
 PF80LP: 120V/60 Hz 1 Ph 6.2 A
 PF110: 120V/60 Hz 1 Ph 6.2 A
 PF50-Export/CE: 230 VAC/ 50Hz 5A

HOW TO SPECIFY

The following description will assist with ordering the features desired for this equipment:

PF50 50-lb. (25 liter) oil capacity portable filter with reversible pump
 PF80 80-lb. (40 liter) oil capacity portable oil filter with reversible pump
 PF80LP 80-lb. (40 liter) oil capacity low profile portable oil filter with reversible pump
 PF110 110-lb (55 liter) oil capacity portable oil filter with reversible pump

Welbilt reserves the right to make changes to the design or specifications without prior notice.