



Vegetable Slicer TRS Vegetable Slicer, 1 speed

ITEM # _____

MODEL # _____

NAME # _____

SIS # _____

AIA # _____



602240 (DTRS)

Vegetable Slicer, 1 Speed,
750W/
1HP/100-120V/1ph/60Hz,
NEMA 5-15P plug - US

602239 (DTRS)

TRS Vegetable Slicer,
single speed (400 RPM),
370W -
1/2HP/100-120V/1PH/60HZ,
NEMA 5-15P

Short Form Specification

Item No. _____

TRS VEG. SLICER, 1 SPEED, 750W- 1HP/100-120V/1PH/60HZ, NEMA 5-15P

Main Features

- Suitable for 100-400 meals for table service and up to 800 meals for catering service.
- Vegetable slicer unit has slicing, grating, shredding (julienne) as well as dicing and french fries capabilities.
- Ergonomically designed for right and left-handed users, frontal working and to reduce working space around the machine.
- All parts in contact with food are removable without the use of tools, stainless steel hopper, stainless steel lever and cutting chamber are dishwasher safe.
- Hopper easily removed for cleaning.
- Base inclined at 20° to provide easy loading and unloading.
- High discharge zone permits the use of deep containers up to 8" high (20cm).
- Complete and wide selection of blades and grids available, Diameter of blades and grids are 8" (205mm).
- Pulse function for precise cutting.
- Magnetic safety system and motor brake. Prevents machine from running when lever swings away or is open.
- Automatic restart of the machine with the 3/4 moon shaped pusher in position.
- Continuous feed model.
- Large round (long vegetable) and large 3/4 moon feed hoppers.
- Delivered with: All stainless steel vegetable prep attachment with a lever-integrated long vegetable hopper and a large round hopper.

Construction

- Compact and portable design.
- Improved ventilation system to manage smoothly heavy duty use.
- Reinforced basement and feet to withstand the continuous movements of the unit.
- Improved fixing of long vegetable hopper pusher.
- Power: 750 watts (1 HP). (only for 602240)
- 1 speed: 400 rpm - for precise cutting, slicing and dicing.
- Rear handle for ergonomic and safe movement.
- Power: 370 watts (only for 602239)

Included Accessories

- 1 of Ejector disc PNC 653772

Optional Accessories

- Stainless steel shredding disc with S-blades 5/32" x 5/32" (4x4 mm) PNC 650077
- Stainless steel shredding disc with S-blades 1/4"x 1/4" (6x6 mm) (can also be used for French fries) PNC 650078

APPROVAL: _____



Vegetable Slicer TRS Vegetable Slicer, 1 speed

- | | |
|--|---|
| <ul style="list-style-type: none"> • Stainless steel shredding disc with S-blades 5/16" x 5/16" (8x8 mm) (can also be used for French fries) PNC 650079 <input type="checkbox"/> • Stainless steel shredding disc with S-blades 3/8" x 3/8" (10x10 mm) (can also be used for French fries) PNC 650080 <input type="checkbox"/> • Stainless steel pressing/slicing disc with S-blades .6 mm (can be used for slicing or combined with grids) PNC 650081 <input type="checkbox"/> • Stainless steel pressing/slicing disc with S-blades 1/32" (1 mm) (can be used for slicing or combined with grids) PNC 650082 <input type="checkbox"/> • Stainless steel pressing/slicing disc with S-blades 5/64" (2 mm) (can be used for slicing or combined with grids) PNC 650083 <input type="checkbox"/> • Stainless steel pressing/slicing disc with S-blades 1/8" (3 mm) (can be used for slicing or combined with grids) PNC 650084 <input type="checkbox"/> • Stainless steel pressing/slicing disc with S-blades 5/32" (4 mm) (can be used for slicing or combined with grids) PNC 650085 <input type="checkbox"/> • Stainless steel pressing/slicing disc with S-blades 3/16" (5 mm) (can be used for slicing or combined with grids) PNC 650086 <input type="checkbox"/> • Stainless steel pressing/slicing disc with S-blades 1/4" (6 mm) (can be used for slicing or combined with grids) PNC 650087 <input type="checkbox"/> • Stainless steel pressing/slicing disc with S-blades 5/16" (8 mm) (can be used for slicing or combined with grids) PNC 650088 <input type="checkbox"/> • Stainless steel pressing/slicing disc with corrugated S-blades 5/64" (2 mm) (can be used for slicing or combined with grids) PNC 650089 <input type="checkbox"/> • Stainless steel pressing/slicing disc with corrugated S-blades 1/8" (3 mm) (can be used for slicing or combined with grids) PNC 650090 <input type="checkbox"/> • Stainless steel pressing/slicing disc with corrugated S-blades 1/4" (6 mm) (can be used for slicing or combined with grids) PNC 650091 <input type="checkbox"/> • Bistrot Pack, Stainless Steel Disc Set containing one each of: C2SX 5/64" (2mm) slicing disc, C5SX 3/16" (5mm) slicing disc, J2X 5/64" (2mm) grating disc PNC 650092 <input type="checkbox"/> • Gastronomic 6-Disc Set, Stainless Steel Disc Set containing one each of: C2S 5/64" (2mm) slicing disc, C5S 3/16" (5mm) slicing disc, J2X 5/64" (2mm) grating disc, AS4X 5/32" x5/32" (4x4mm) shredding disc, C10PS 3/8" (10mm) presser/slicer, MT10T 3/8"x3/8" (1 mm) PNC 650093 <input type="checkbox"/> • Set of 3 stainless steel discs for Pizza 5/64", 5/32", 9/32" (2mm and 4mm pressing/slicing discs with S-blades, 7mm grating disc) PNC 650107 <input type="checkbox"/> | <ul style="list-style-type: none"> • Cleaning tool for TRS, TRK & TR210 3/16-5/16-3/8 in (5-8-10 mm) dicing grids PNC 650110 <input type="checkbox"/> • Dicing set 10X10X10MM (10mm aluminum slicing pressing disc with 205mm diam. and 10mm grid) PNC 650112 <input type="checkbox"/> • Gastronomy Pack-set discs (2mm, 5mm and 10mm slicing pressing discs, 2mm grating disc, 4x4mm shredding disc, 10x10mm dicing grid) and grid cleaning tool PNC 650113 <input type="checkbox"/> • Set of 7 discs (2mm, 5mm and 10mm slicing pressing discs, 2mm and 7mm grating discs, 4x4mm shredding disc, 10x10mm dicing grid) and grid cleaning tool PNC 650114 <input type="checkbox"/> • Aluminum pressing/slicing disc with straight blades 10 mm - for dicing PNC 650115 <input type="checkbox"/> • Aluminum pressing/slicing disc with straight blades 8 mm - for dicing PNC 650116 <input type="checkbox"/> • Stainless steel shredding disc with S-blades 5/64" x 5/16" (2x8 mm) PNC 650158 <input type="checkbox"/> • Stainless steel shredding disc with S-blades 5/64" x 3/8" (2x10 mm) PNC 650159 <input type="checkbox"/> • Stainless steel pressing/slicing disc with S-blades 3/8" (10 mm) (can be used for slicing or combined with grids) PNC 650160 <input type="checkbox"/> • Stainless steel pressing/slicing disc with S-blades 15/32" (12 mm) (can be used for slicing or combined with grids) PNC 650161 <input type="checkbox"/> • Stainless steel pressing/slicing disc with corrugated S-blades 5/16" (8 mm) (can be used for slicing or combined with grids) PNC 650162 <input type="checkbox"/> • Stainless steel pressing/slicing disc with corrugated S-blades 3/8" (10 mm) (can be used for slicing or combined with grids) PNC 650164 <input type="checkbox"/> • Stainless steel pressing/slicing disc with S-blades 33/64" (13 mm) (can be used for slicing or combined with grids) PNC 650165 <input type="checkbox"/> • Stainless steel shredding disc with S-blades 5/64"x 5/64" (2x2 mm) PNC 650166 <input type="checkbox"/> • Stainless steel shredding disc with S-blades 1x8" x 1/8" (3x3 mm) PNC 650167 <input type="checkbox"/> • Set of 4 Stainless Steel Discs containing one each of: C2S 5/64" (2mm) slicing disc, C5S 3/16" (5mm) slicing disc, J2X 5/64" (2mm) grating disc and J7X 9/32" (7mm) grating disc PNC 650178 <input type="checkbox"/> • Set of 7 Stainless Steel Discs containing one each of: C2S 5/64" (2mm) slicing disc, C5S 3/16" (5mm) slicing disc, J2X 5/64" (2mm), J7X 9/32" (7mm) grating disc, AS4X 5/32"x5/32" (4x4mm) shredding disc, C10PSB 3/8" (10mm) presser/slicer, MT10T 3/8"x3/8" (1 mm) PNC 650179 <input type="checkbox"/> • Stainless steel work table assembly. PNC 653283 <input type="checkbox"/> • Dicing grid 3/16" x 3/16" (5x5 mm) PNC 653566 <input type="checkbox"/> • Dicing grid 5/16" x 5/16" (8x8 mm) PNC 653567 <input type="checkbox"/> • Dicing grid 3/8"x 3/18" (10x10 mm) PNC 653568 <input type="checkbox"/> |
|--|---|

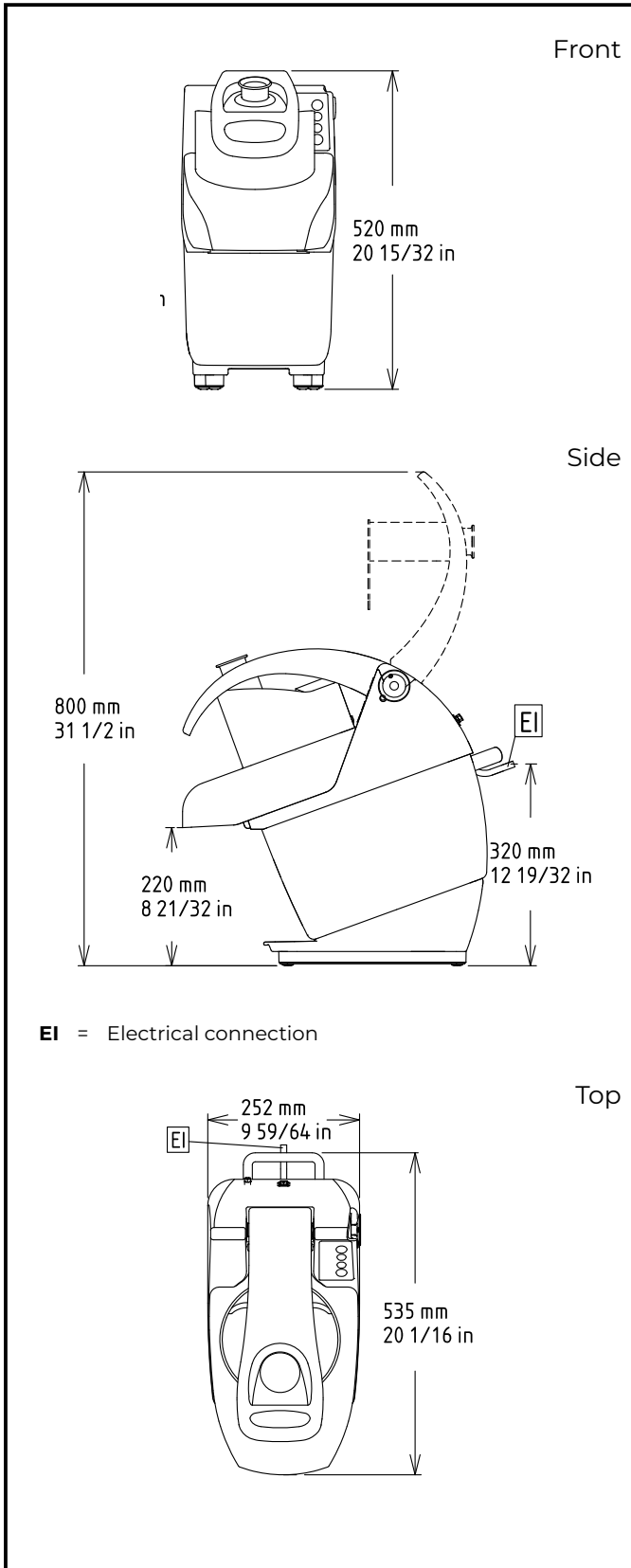


Vegetable Slicer TRS Vegetable Slicer, 1 speed

- Dicing grid 15/32"x 15/32" (12x12 mm) PNC 653569
- Dicing grid 25/32"x 25/32" (20x20 mm) PNC 653570
- Grid for chips 1/4" x 1/4" (6x6 mm) PNC 653571
- Grid for chips 5/16"x 5/16" (8x8 mm) PNC 653572
- Grid for chips 3/8" x 3/8" (10x10 mm) PNC 653573
- Support for 1 disc, diam. 175mm and 205mm PNC 653632
- Ejector disc PNC 653772
- Stainless steel grating disc 5/64", fine (2mm) PNC 653773
- Stainless steel grating disc, 1/8", fine (3mm) PNC 653774
- Stainless steel grating disc 5/32" (4mm) PNC 653775
- Stainless steel grating disc 9/32" (7mm) PNC 653776
- Stainless steel grating disc 11/32" (9mm) PNC 653777
- Stainless steel grating disc, designed for nuts, chocolate & bread crumbs, stainless steel PNC 653778
- Stainless steel grating disc, especially fine grating for Parmesan cheese and chocolate, stainless steel PNC 653779
- Set of 3 discs, diam. 205 mm (5mm slicer, 4mm grater, 6mm julienne/shredder) PNC 653869
- Set of 5 discs, diam. 205 mm (4mm and 6mm slicer, 6mm julienne/shredder, 5mm and 10 mm slicer, 10x10mm grid) PNC 653870



Vegetable Slicer TRS Vegetable Slicer, 1 speed



Electric

Supply voltage:

602240 (DTRS)

100-120 V/1N ph/60 Hz

602239 (DTRS)

100-120 V/1N ph/60 Hz

Total Watts:

602240 (DTRS)

0.8 kW

602239 (DTRS)

0.4 kW

Plug type:

USA NEMA 5-15P

Key Information:

External dimensions,

Width:

9 15/16" (252 mm)

External dimensions,

Depth:

19 11/16" (500 mm)

External dimensions,

Height:

20 1/4" (515 mm)

Shipping width:

602240 (DTRS)

13 " (330 mm)

602239 (DTRS)

25 3/16" (640 mm)

Shipping depth:

602240 (DTRS)

25 3/16" (640 mm)

602239 (DTRS)

13 " (330 mm)

Shipping height:

23 5/8" (600 mm)

Shipping weight:

602240 (DTRS)

60 lbs (27 kg)

602239 (DTRS)

55 lbs (25 kg)