

# CARTRIDGE, WEQ-10.3(1.67)5L

Height: 12.32" Width: 3.57" Depth: 3.57"  
(31.3cm) (9.1cm) (9.1cm)



- Consistent brewed coffee and tea from quality recipe water with reduced sediment and chlorine taste and odor up to 10,300 gallons
- Carbon block technology reduces dirt and particles as small as 5 Microns in size
- Perfect for beverage systems with a medium-sized brewer (up to 50 lbs. of coffee/ week)
- Equipment protection from reduced sediment particles that can clog equipment sprayheads
- Certified to NSF Standard 42 for reduction of Chlorine Taste and Odor
- Reduces maintenance and service costs by reducing scale formation and equipment corrosion by release of scale inhibitors

**NOTE:** Do not use with water that is microbiologically unsafe or of unknown quality without adequate disinfection before or after the system.

**Agency:**



Systems and other related parts are certified to NSF International NSF/ANSI Standard 42 and/or NSF International NSF/NANSI Standard 53 as marked.

## Specifications

**Product #:** 56000.0137

**Cartridge Type:** Sanitary Quick Connect

**Application(s):**

**Replacement Cartridge:**

**Filtration Type:**

**Filter Change Frequency:** Every 6 months

## Capacity

Micron Rating	Service Flow Rate	Water Filter Capacity <i>Chlorine Reduction</i>	Water Filter Capacity <i>Chloramine Reduction</i>	Water Filter Capacity <i>Softening</i>
5.0	1.7 gal/min (6.4 L/min)	10300 gal. (38989.0 L)	-	-

## Plumbing Requirements

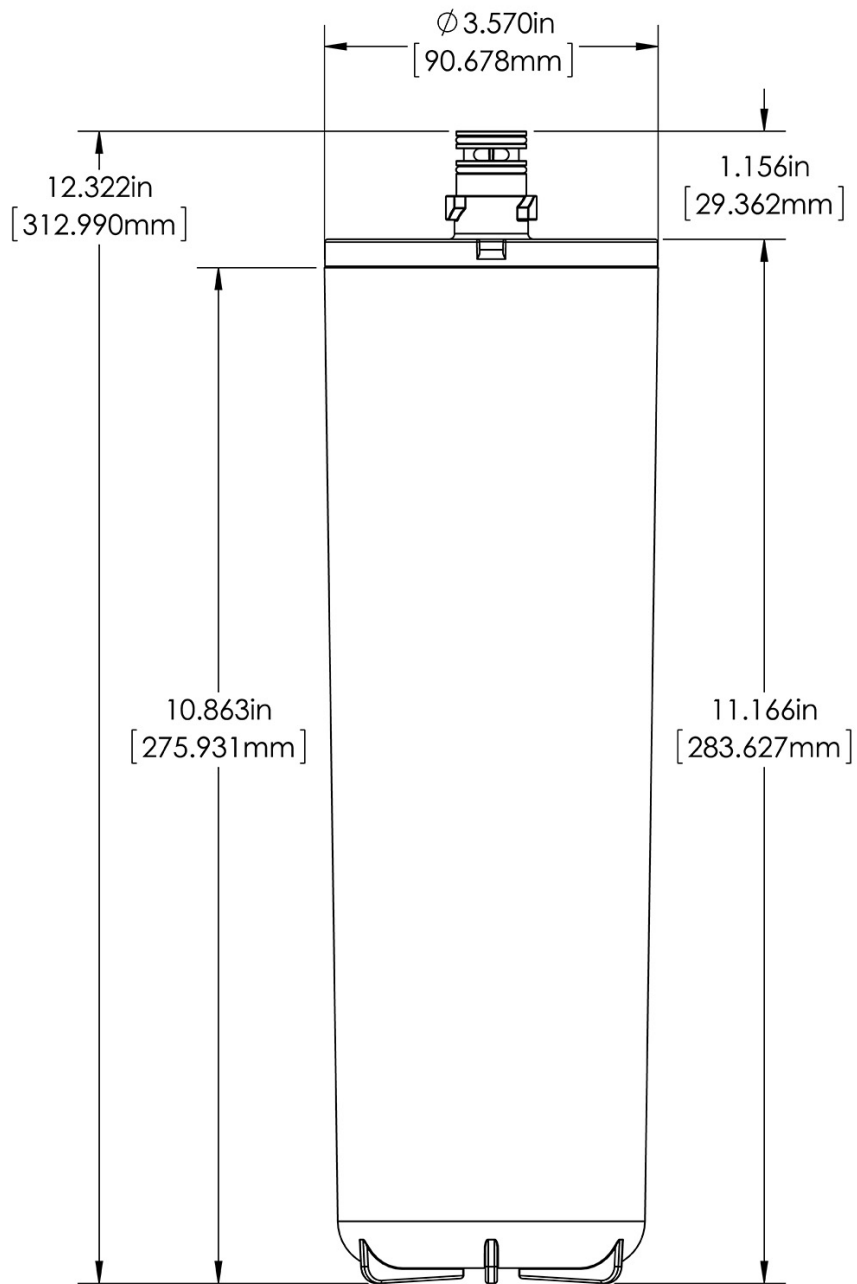
Inlet Connection	Outlet Connection	Min Operating Pressure	Max Operating Pressure	Min Operating Temperature	Max Operating Temperature
1/4 IN	1/4 IN	20 psi (138 kPa)	125 psi (862 kPa)	40°F(4°C)	100°F(38°C)

**WARNING:**



BUNN® reserves the right to change specifications and product design without notice. Such revisions do not entitle the buyer to corresponding changes, improvements, additions or replacements for previously purchased equipment. For most current specifications and other info visit [bunn.com](http://bunn.com).

**Last Updated:**  
05/17/2023



	Dimensions of Filter System <i>(filter head with filter cartridge)</i>			Installed Dimensions <i>(Installation with wall mounting)</i>			Cartridge Dimensions <i>(filter cartridge only)</i>		
	Height	Width	Depth	Height	Width	Depth	Height	Width	Depth
English	-	-	-	-	-	-	12.32 in.	3.57 in.	3.57 in.
Metric	-	-	-	-	-	-	31.3 cm	9.1 cm	9.1 cm

	Weight		Shipping				
	Dry	Wet	Height	Width	Depth	Weight	Volume
English	0.0 lbs	0.0 lbs	-	-	-	2.130 lbs	-
Metric	-	-	-	-	-	0.966 kgs	-

**WARRANTY:** BUNN High Performance Water Filtration Solutions Systems by BUNN® (excluding water filters and water treatment replacement cartridges) are covered by a limited warranty against defects in material and workmanship for a period of five years after date of purchase, under normal use and service, and when installed in accordance with manufacturer's recommendations outlined in the filtration systems owner's manual. BUNN replaceable elements (water treatment cartridges, filter elements, and feeder elements) are covered by a limited warranty against defects in material and workmanship for a period of one year after date of purchase or the remainder of the original warranty, whichever is longer. See printed warranty for full details. BUNN will provide a copy of the warranty upon request.



BUNN® reserves the right to change specifications and product design without notice. Such revisions do not entitle the buyer to corresponding changes, improvements, additions or replacements for previously purchased equipment. For most current specifications and other info visit [bunn.com](http://bunn.com).

Last Updated:  
05/17/2023



CARTRIDGE, EQ-TL-1

Product #: 30331.1001



BUNN® reserves the right to change specifications and product design without notice. Such revisions do not entitle the buyer to corresponding changes, improvements, additions or replacements for previously purchased equipment. For most current specifications and other info visit [bunn.com](http://bunn.com).

Last Updated:  
05/17/2023

# Model Compatibility: CARTRIDGE, WEQ-10.3(1.67)5L(56000.0137)

\*Serving and Holding selections are currently unavailable. Please contact your sales representative to find out more information.\*



BUNN® reserves the right to change specifications and product design without notice. Such revisions do not entitle the buyer to corresponding changes, improvements, additions or replacements for previously purchased equipment. For most current specifications and other info visit [bunn.com](http://bunn.com).

Last Updated:  
05/17/2023