

# WQ-55(3).2

Height: 18.57" Width: 6.12" Depth: 6.00"  
(47.2cm) (15.5cm) (15.2cm)



- Protects downstream equipment with exceptional sediment holding capacity and reduces health contaminants such as cyst with 0.2 Microns mechanical filtration
- Certified to NSF Standard 53 for Cyst and Standard 42 for Sediment, Chlorine Taste and Odor reduction
- Built-in by-pass indicators on filter head provide visual confirmation of the filter's internal integrity taking the guesswork out of the system's performance ensuring that only filtered water is being delivered to beverage equipment at all times
- Sanitary quick connect valve-in-head design simultaneously shuts off and vents water with ¼ turn, allowing for simple cartridge change-outs and maintenance times
- Unique modular filter head manifold design allows for simple installation, customization, and future system expansion
- Auto-leveling technology ensures perfect installation every time
- High capacity, low pressure drop system configuration
- Designed for medium volume applications using a unique blend of catalytic coconut shell carbon rated up 55,000 gallons of chlorine taste and odor reduction to extend the life and increase efficiency of coffee brewers, ice machines, and steamers
- Includes single stage filter head assembly with manifold bracket, 3/8" MNPT fittings and 1/4" quick-connect rinse valve

**NOTE:** Do not use with water that is microbiologically unsafe or of unknown quality without adequate disinfection before or after the system.

## Specifications

**Product #:** 56000.0005

**Cartridge Type:** Quick Change

**Application(s):** Post Mix, Backroom Package/Combo System

**Replacement Cartridge:** 56000.0105

**Filtration Type:** Sediment, Cyst Reduction, Chlorine Taste & Odor

**Filter Change Frequency:** Annual

## Capacity

| Micron Rating | Service Flow Rate        | Water Filter Capacity<br><i>Chlorine Reduction</i> | Water Filter Capacity<br><i>Chloramine Reduction</i> | Water Filter Capacity<br><i>Softening</i> |
|---------------|--------------------------|--|--|---|
| 0.2           | 3.0 gal/min (11.4 L/min) | 55000 gal. (208193.9 L)                            | -  | -   |

## Plumbing Requirements

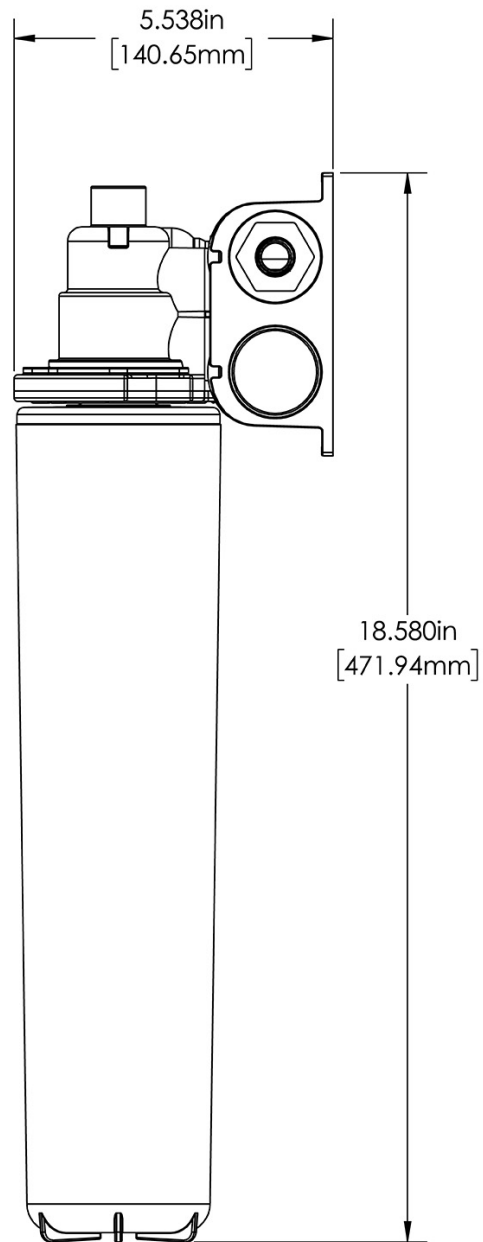
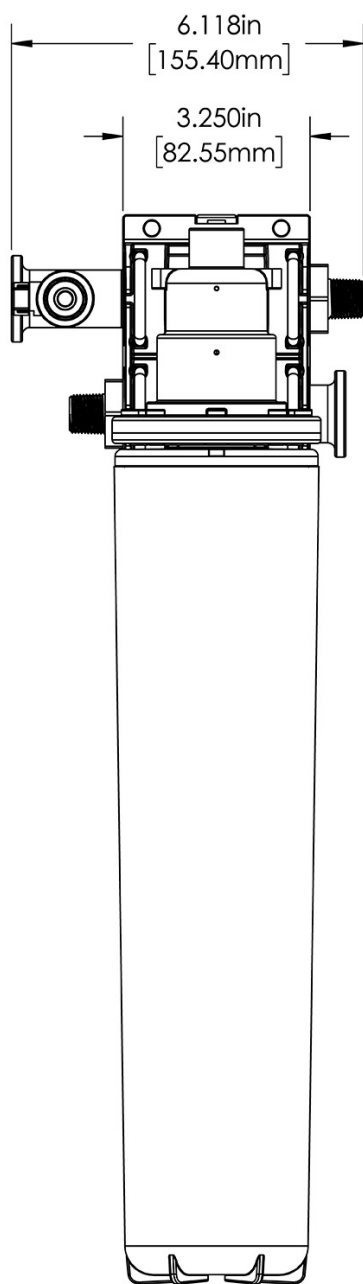
| Inlet Connection | Outlet Connection | Min Operating Pressure | Max Operating Pressure | Min Operating Temperature | Max Operating Temperature |
|------------------|-------------------|------------------------|------------------------|---------------------------|---------------------------|
| 3/8 IN           | 3/8 IN            | 20 psi (138 kPa)       | 125 psi (862 kPa)      | 40°F(4°C)                 | 100°F(38°C)               |

**WARNING:**



BUNN® reserves the right to change specifications and product design without notice. Such revisions do not entitle the buyer to corresponding changes, improvements, additions or replacements for previously purchased equipment. For most current specifications and other info visit [bunn.com](http://bunn.com).

**Last Updated:**  
01/18/2023



| Dimensions of Filter System<br><i>(filter head with filter cartridge)</i> |           |          | Installed Dimensions<br><i>(Installation with wall mounting)</i> |        |       | Cartridge Dimensions<br><i>(filter cartridge only)</i> |           |          |          |
|---|-----------|----------|--|--------|-------|--|-----------|----------|----------|
|   | Height    | Width    | Depth  | Height | Width | Depth  | Height    | Width    | Depth    |
| English   | 18.57 in. | 6.12 in. | 6.00 in.   | -      | -     | -  | 17.21 in. | 3.56 in. | 3.56 in. |
| Metric  | 47.2 cm   | 15.5 cm  | 15.2 cm  | -      | -     | -  | 43.7 cm   | 9.0 cm   | 9.0 cm   |

| Weight  |         |         | Shipping |           |           |           |        |
|---------|---------|---------|----------|-----------|-----------|-----------|--------|
|         | Dry     | Wet     | Height   | Width     | Depth     | Weight    | Volume |
| English | 0.0 lbs | 0.0 lbs | 8.00 in. | 15.00 in. | 20.00 in. | 7.420 lbs | -      |
| Metric  | -       | -       | 20.3 cm  | 38.1 cm   | 50.8 cm   | 3.366 kgs | -      |

**WARRANTY:** BUNN High Performance Water Filtration Solutions Systems by BUNN® (excluding water filters and water treatment replacement cartridges) are covered by a limited warranty against defects in material and workmanship for a period of five years after date of purchase, under normal use and service, and when installed in accordance with manufacturer's recommendations outlined in the filtration systems owner's manual. BUNN replaceable elements (water treatment cartridges, filter elements, and feeder elements) are covered by a limited warranty against defects in material and workmanship for a period of one year after date of purchase or the remainder of the original warranty, whichever is longer. See printed warranty for full details. BUNN will provide a copy of the warranty upon request.



BUNN® reserves the right to change specifications and product design without notice. Such revisions do not entitle the buyer to corresponding changes, improvements, additions or replacements for previously purchased equipment. For most current specifications and other info visit [bunn.com](http://bunn.com).

Last Updated:  
01/18/2023

# Related Products & Accessories: WQ-55(3).2(56000.0005)



CARTRIDGE, WQ-55(3).2

Product #: 56000.0105



HEAD ASSEMBLY, WQ-SINGLE

Product #: 56000.0200



BUNN® reserves the right to change specifications and product design without notice. Such revisions do not entitle the buyer to corresponding changes, improvements, additions or replacements for previously purchased equipment. For most current specifications and other info visit [bunn.com](http://bunn.com).

Last Updated:  
01/18/2023

# Model Compatibility: WQ-55(3).2(56000.0005)

\*Serving and Holding selections are currently unavailable. Please contact your sales representative to find out more information.\*



BUNN® reserves the right to change specifications and product design without notice. Such revisions do not entitle the buyer to corresponding changes, improvements, additions or replacements for previously purchased equipment. For most current specifications and other info visit [bunn.com](http://bunn.com).

Last Updated:  
01/18/2023