

NITRON® Cold Draft C-top 4:1-12:1 w/RDG

Height: 34.0" Width: 9.8" Depth: 29.8"
(86.4cm) (24.9cm) (75.7cm)



- 11" x 6.5" graphic panel on the LED-lighted door can easily be changed - without tools- to promote unique brands or beverage offerings
- Serve different coffees or teas, one Nitro and one Still, using two 1-gallon ball-valve concentrate BIBs or BUNN refillable containers
- Patented BUNN gas infusion technology can produce up to 3 minutes of cascading micro-bubbles
- Patented High Intensity® mixing chamber assures a perfectly blended finished beverage, from cup to cup
- Mounted on standard 3/8"-16 UNC threads, chrome plated brass tap handles are interchangeable with custom handles for a more personalized look
- Automatic water bath fill maintains water bath level for optimal cold beverage capacity
- Flashing red LED light on door alerts the operator when to replenish nitrogen tank
- At a rate of one 16oz drink per minute, can dispense 60 drinks before exceeding 41°F (using 75°F incoming water)
- Refrigerated product cabinet protects flavor integrity and product life
- Large dispense area accommodates taller cups and carafes up to 8.76"
- Service-friendly design makes set-up and maintenance simple

 Tank Regulator Required

Agency:



Specifications

Product #: 51600.6018

Flavors: 2 Flavors

Product Ratio: 4:1-12:1

Connector: Ball-valve

Water Access: Plumbed

Finish: Black

Door: Lit

Refrigerant: R134A

Additional Features

Electrical & Capacity

Volts*	Amps	Watts	Cord Attached	Plug Type	8oz cups/hr 236ml cups/hr	Input H ₂ O Temp.	Phase	# Wires plus Ground	Hertz
120	6	720	Yes	NEMA 5-15P	-	60°F (15.5°C)	1	2	60

*When a BUNN is machine rated 120/208-240V, 120/208V or 120/240V, the higher voltage is the supply voltage needed to power the machine. The 120V is there to supply power to some components rated 120V in the machine, but it is not the supply voltage and would not power the machine if the machine is marked with the before mentioned ratings.

Plumbing Requirements

PSI	kPa	Fitting Supplied	Water Flow Required (GPM)
30-90	207-621	3/8" Male Flare Fitting	0.94

 **WARNING:**

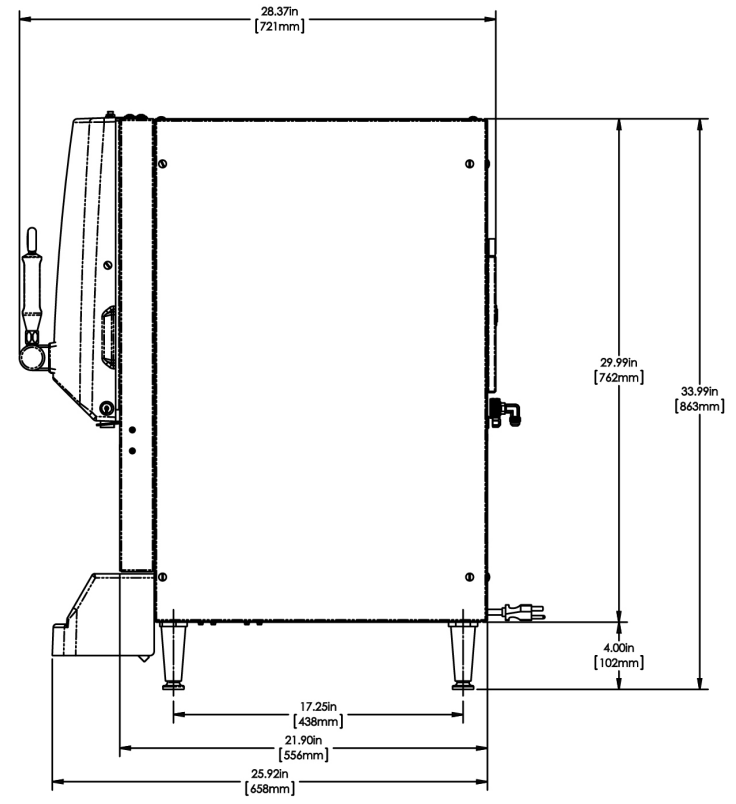
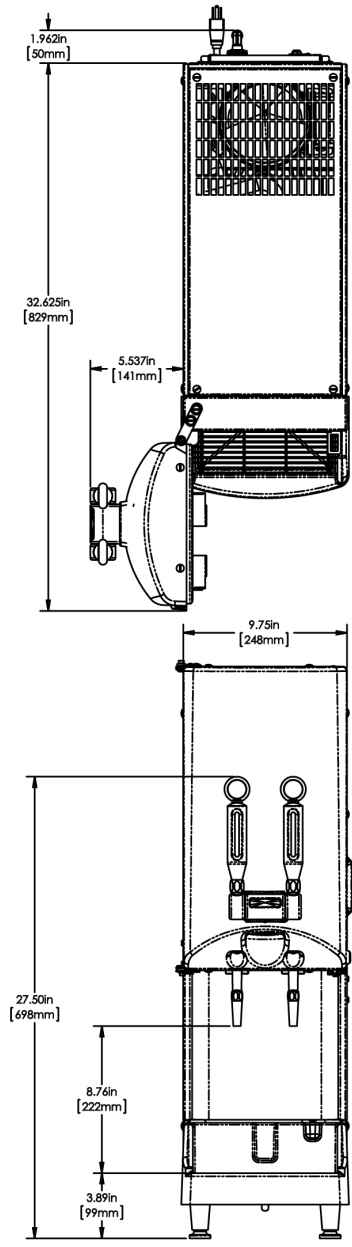
CAD Drawings

2D	Revit	KLC
●		



BUNN® reserves the right to change specifications and product design without notice. Such revisions do not entitle the buyer to corresponding changes, improvements, additions or replacements for previously purchased equipment. For most current specifications and other info visit bunn.com.

Last Updated:
05/09/2023




Unit			Shipping					
	Height	Width	Depth	Height	Width	Depth	Weight	Volume
English	34.0 in.	9.8 in.	29.8 in.	43.7 in.	22.8 in.	30.5 in.	130.000 lbs	17.543 ft³
Metric	86.4 cm	24.9 cm	75.7 cm	111.0 cm	57.8 cm	77.5 cm	58.968 kgs	0.497 m³



BUNN® reserves the right to change specifications and product design without notice. Such revisions do not entitle the buyer to corresponding changes, improvements, additions or replacements for previously purchased equipment. For most current specifications and other info visit bunn.com.

Last Updated: 05/09/2023

Related Products & Accessories: NITRON® Cold Draft C-top 4:1-12:1 w/RDG(51600.6018)



SANITIZER, KAY-5
(BOX-200 PKTS)

Product #: 24634.0000



SANITIZER, KAY-5
(BOX-50 PKTS)

Product #: 24634.0001



WATER FILTER,
EQHP-10

Product #: 39000.0004



WATER FILTER,
EQHP-5C

Product #: 39000.0014



CONTAINER ASSY,
REFILLABLE

Product #: 39302.0000




KIT, SWITCH COVER - 2
VALVE CBDSPCT

Product #: 45536.1002



KIT, TST 2 VALVE
NITRON

Product #: 45536.1004



KIT, PRIMARY N2
REGULATOR

Product #: 54060.0000



SYSTEM, WQ-55(2)5

Product #: 56000.0004



SYSTEM, WQ-40(3).2C

Product #: 56000.0014



SYSTEM, WEQ-10(1.5)5

Product #: 56000.0027



SYSTEM, WEQ-18(2).2C

Product #: 56000.0036



CARTRIDGE, WQ-55(2)5

Product #: 56000.0104



CARTRIDGE, WQ-60
(3.5).2C

Product #: 56000.0114



CARTRIDGE, WEQ-10
(1.5)5

Product #: 56000.0122



CARTRIDGE, WEQ-18
(2).2C

Product #: 56000.0128

KIT, FILTERS NGM

Product #: 56333.0000

Serving & Holding Options: NITRON® Cold Draft C-top 4:1-12:1 w/RDG(51600.6018)

Serving and Holding selections are currently unavailable. Please contact your sales representative to find out more information.



BUNN® reserves the right to change specifications and product design without notice. Such revisions do not entitle the buyer to corresponding changes, improvements, additions or replacements for previously purchased equipment. For most current specifications and other info visit bunn.com.

Last Updated:
05/09/2023