



**FOOD EQUIPMENT**

**SERVING THE FOOD INDUSTRY SINCE 1951**

## COUNTERTOP DISPLAY WARMERS

**Items: 47454 / 47455 / 47456**

### FEATURES:

- Eye catching internal LED lighting
- Temperatures display
- Front curved glass
- Digital adjustable temperature controller
- Comes with chrome plated shelves
- Easy access to sliding rear doors



47454



47455



47456



**WARRANTY**  
PARTS AND LABOR

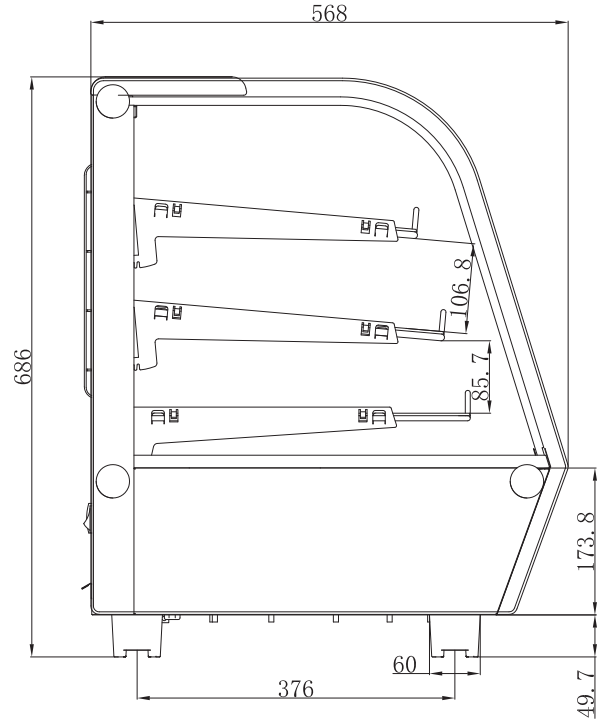
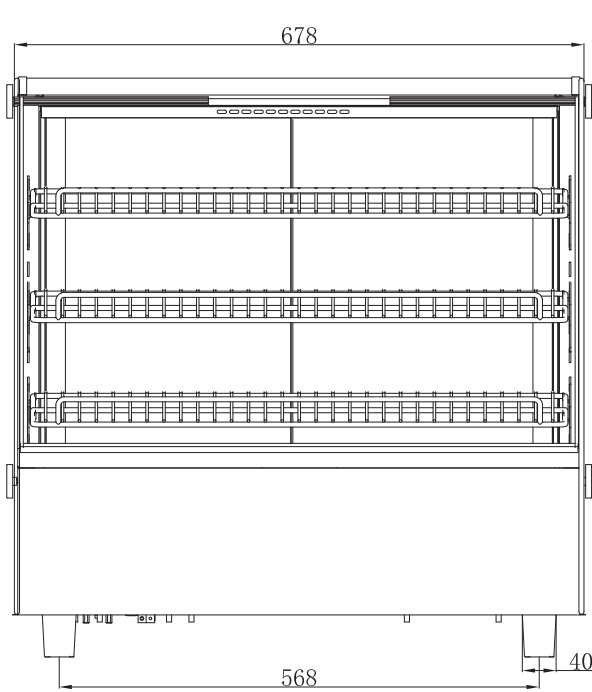
NEMA  
5 - 15  
125 VAC / 15 AMP  
RECEPTACLE



Authorized Dealer

### TECHNICAL DRAWINGS & DIMENSIONS

\*measurements in diagrams are in mm



### TECHNICAL SPECIFICATIONS

<b>Item</b>	47454
<b>Model</b>	DW-CN-0120-E
<b>Electrical</b>	115V / 60Hz / 1Ph
<b>Power</b>	1.8 kW
<b>Temperature Range</b>	30 - 82.2 °C 86 - 180 °F
<b>Capacity</b>	120 L / 4.24 cu. ft.
<b>Shelf Load Capacity</b>	33.1 lbs   15 kg
<b>Shelf Dimensions</b>	Top: 25" x 13.2" Middle: 25" x 14.4" Bottom: 25" x 15.7"
<b>Weight</b>	77 lbs   34.9 kg
<b>Gross Weight</b>	83 lbs   37.6 kg
<b>Dimensions</b>	26.7" x 22.4" x 26.4"
<b>Gross Dimensions</b>	29.5" x 25.5" x 29.6"



## OMCAN INC.

Telephone: 1-800-465-0234  
 Fax: (905) 607-0234  
 Email: sales@omcan.com  
 Website: www.omcan.com

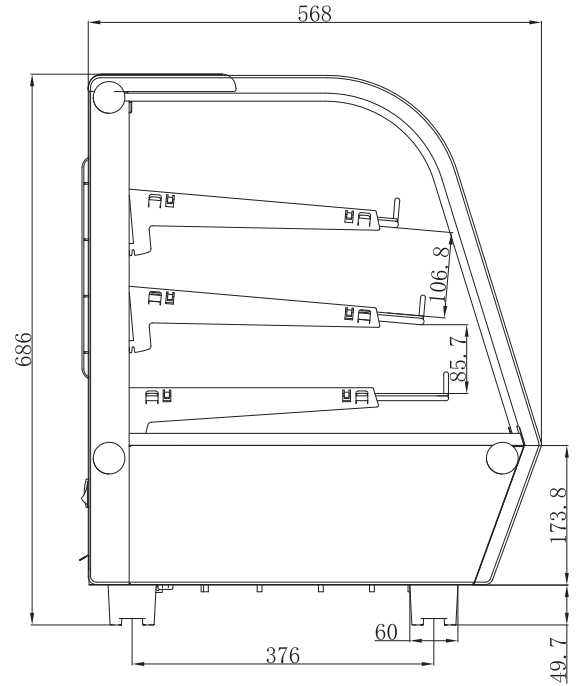
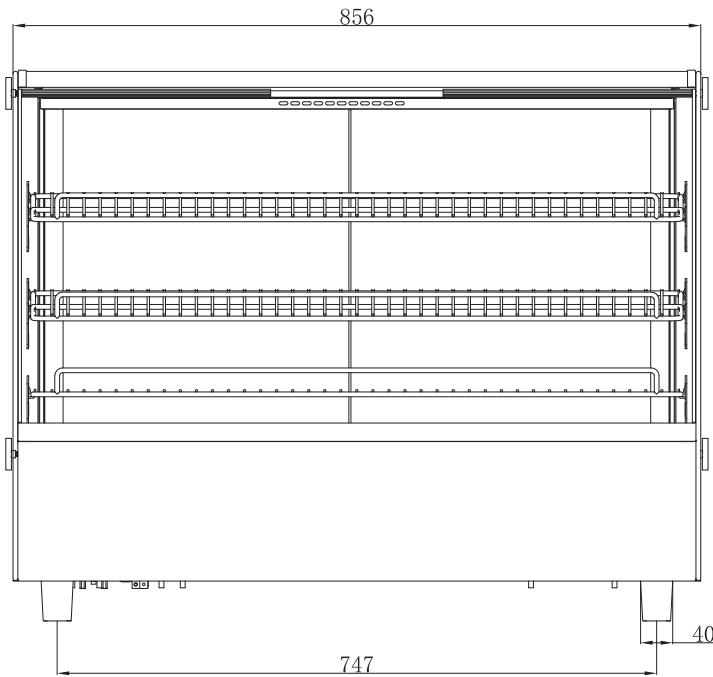


Follow us to keep up to date with the latest news and offers



### TECHNICAL DRAWINGS & DIMENSIONS

\*measurements in diagrams are in mm



### TECHNICAL SPECIFICATIONS

<b>Item</b>	47455
<b>Model</b>	DW-CN-0160-E
<b>Electrical</b>	115V / 60Hz / 1Ph
<b>Power</b>	1.8 kW
<b>Temperature Range</b>	30 - 82.2 °C 86 - 180 °F
<b>Capacity</b>	160 L / 5.65 cu. ft.
<b>Shelf Load Capacity</b>	33.1 lbs   15 kg
<b>Shelf Dimensions</b>	Top: 32" x 13.2" Middle: 32" x 14.4" Bottom: 32" x 15.7"
<b>Weight</b>	94 lbs   42.6 kg
<b>Gross Weight</b>	100 lbs   45.4 kg
<b>Dimensions</b>	33.7" x 22.4" x 26.4"
<b>Gross Dimensions</b>	36.5" x 25.5" x 29.6"



## OMCAN INC.

Telephone: 1-800-465-0234  
 Fax: (905) 607-0234  
 Email: sales@omcan.com  
 Website: www.omcan.com

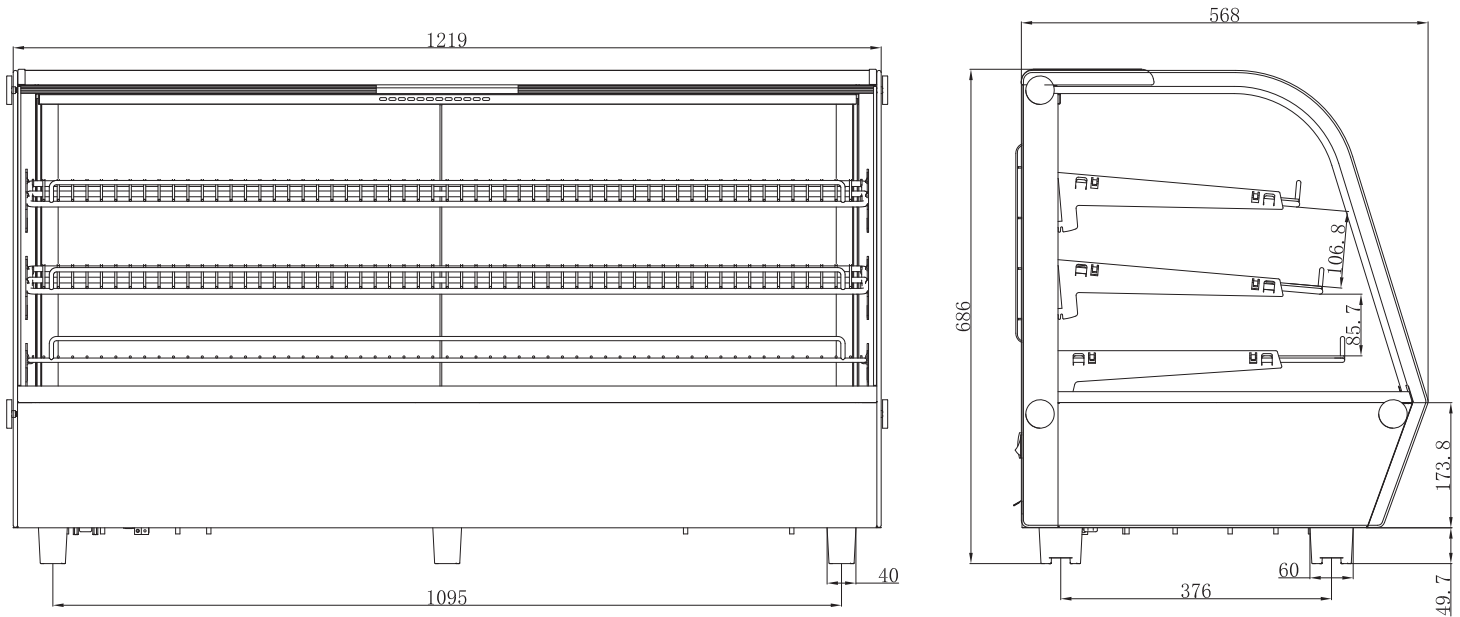


Follow us to keep up to date with the latest news and offers



### TECHNICAL DRAWINGS & DIMENSIONS

\*measurements in diagrams are in mm



### TECHNICAL SPECIFICATIONS

<b>Item</b>	47456
<b>Model</b>	DW-CN-0202-E
<b>Electrical</b>	115V / 60Hz / 1Ph
<b>Power</b>	1.8 kW
<b>Temperature Range</b>	30 - 82.2° C 86 - 180° F
<b>Capacity</b>	202 L / 7.14 cu. ft.
<b>Shelf Load Capacity</b>	33.1 lbs   15 kg
<b>Shelf Dimensions</b>	Top: 45.9" x 13.2" Middle: 45.9" x 14.4" Bottom: 45.9" x 15.7"
<b>Weight</b>	124 lbs   56.2 kg
<b>Gross Weight</b>	130 lbs   59 kg
<b>Dimensions</b>	48" x 22.4" x 26.4"
<b>Gross Dimensions</b>	50.8" x 25.5" x 29.6"



## OMCAN INC.

Telephone: 1-800-465-0234  
 Fax: (905) 607-0234  
 Email: sales@omcan.com  
 Website: www.omcan.com



Follow us to keep up to date with the latest news and offers

