



# ICE SHAVERS

SERVING THE FOOD INDUSTRY SINCE 1951



## SANTOS ICE SHAVER Item: 44023 / Model: Santos 09



Available only in Canada



**LIMITED WARRANTY**  
PARTS AND LABOR



Authorized Dealer

# ICE SHIVERS

## SANTOS ICE SHAVER



### TECHNICAL SPECIFICATIONS

ITEM	44023
MODEL	Santos 09
DESCRIPTION	Stainless steel and sanitary cast aluminium Antimicrobial painted body
ELECTRICAL	100-120V/60Hz/1Ph
RPM	1800
PRODUCTION (PER HOUR)	100 kg/ 220 lbs. per hour
DIMENSIONS	16.5" x 10" x 14" / 420 x 250 x 360 mm
PACKAGING DIMENSIONS	12" x 21" x 16" / 295 x 455 x 410 mm
WEIGHT	32 lbs./ 14.5 kg
PACKAGING WEIGHT	34 lbs./ 15.5 kg

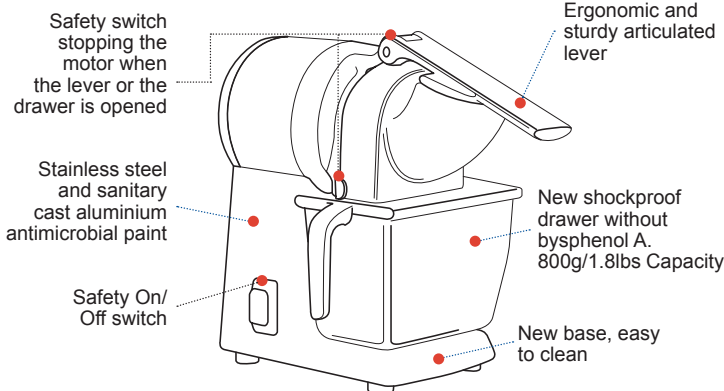


Disc adjusted in "snow ice" position



Disc adjusted in "crushed ice" position

ONE Disc TWO Possibilities



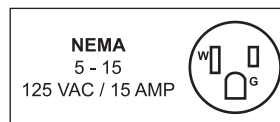
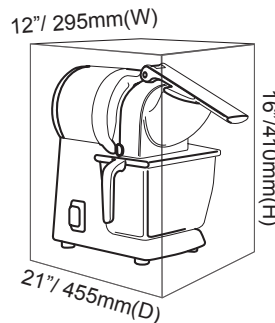
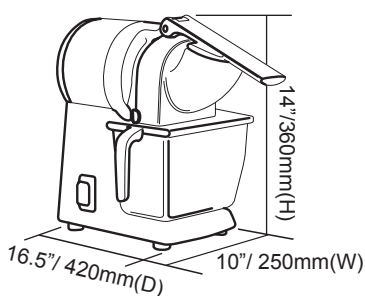
PARTS And SPECIFICATIONS



EASY To Clean

1. Removable housing for easy cleaning
2. Discs can be adapted to both new and old ice crusher
3. Stainless steel plate for easy cleaning
4. Integrated tool to screw and unscrew the disc and lock the ice crusher housing

DIMENSIONS



Available only in Canada



## OMCAN INC.

Telephone: 1-800-465-0234  
 Fax: (905) 607-0234  
 Email: sales@omcan.com  
 Website: www.omcan.com



Follow us to keep up to date with the latest news and offers



# ICE SHAVERS

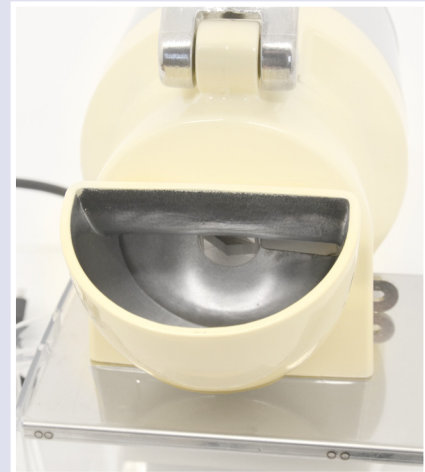
## SANTOS ICE SHAVER



### SANTOS ICE CRUSHER 09

It is powerful and sturdy, delivered with an adjustable disc to make snow ice and crushed ice. Ideal for bars, restaurants, fish shops, caterers... This model facilitates cleaning and maintenance.

DETAIL images



Available only in Canada

## OMCAN INC.

Telephone: 1-800-465-0234  
Fax: (905) 607-0234  
Email: sales@omcan.com  
Website: www.omcan.com



Follow us to keep up to date with the latest news and offers



2015.E.O.E