

# UNIV-3 APR

Height: 6.9" Width: 22.9" Depth: 11.2"  
(17.5cm) (58.2cm) (28.4cm)

•

\*Feature points are currently unavailable.\*



Agency:

## Specifications

Product #: 35728.0002

Finish: Black

## Additional Features

3 Lower

## Holding Capacity

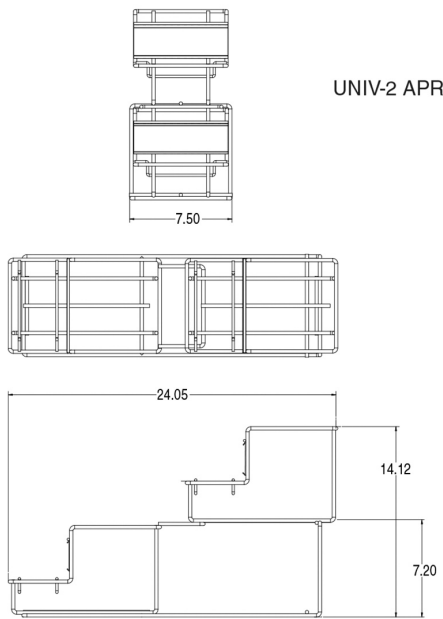
English	Metric
-	-

 WARNING:

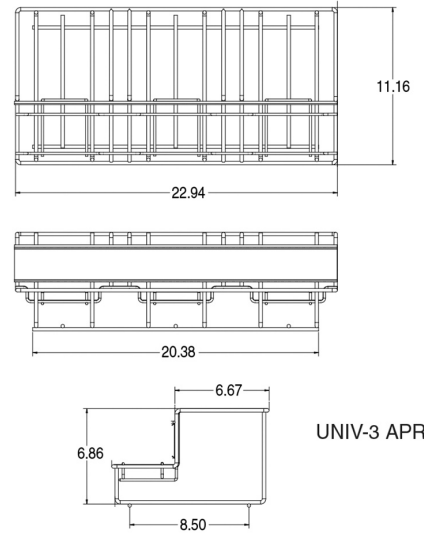
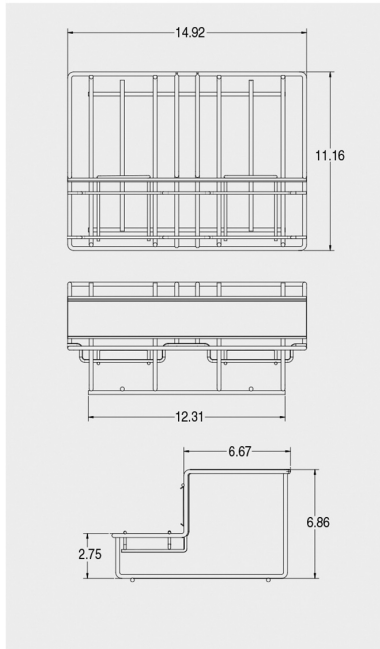


BUNN® reserves the right to change specifications and product design without notice. Such revisions do not entitle the buyer to corresponding changes, improvements, additions or replacements for previously purchased equipment. For most current specifications and other info visit [bunn.com](http://bunn.com).

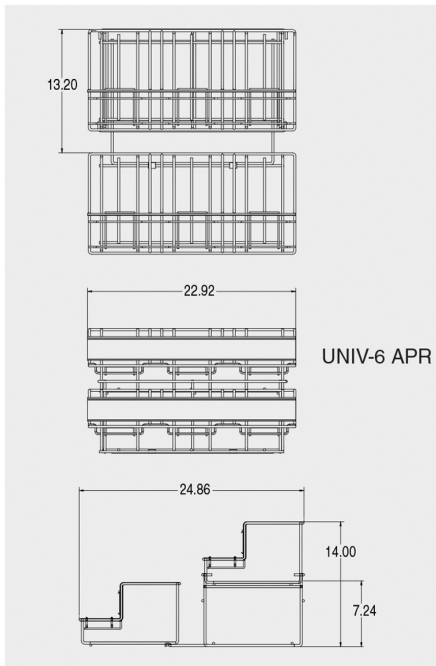
Last Updated:  
02/27/2023



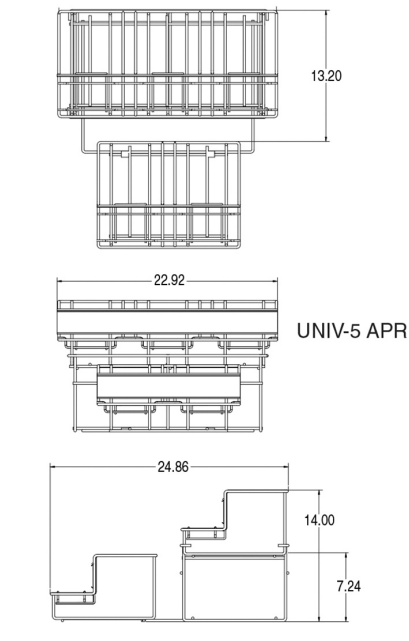
UNIV-2 APR



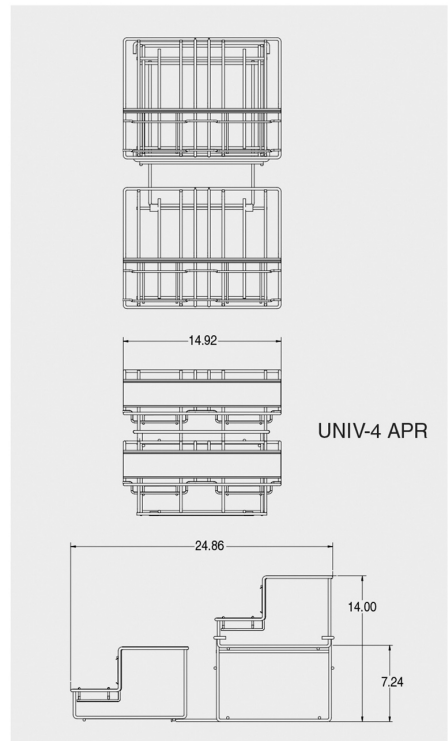
UNIV-3 APR



UNIV-6 APR



UNIV-5 APR



UNIV-4 APR

	Unit			Shipping				
	Height	Width	Depth	Height	Width	Depth	Weight	Volume
English	6.9 in.	22.9 in.	11.2 in.	23.5 in.	11.8 in.	8.0 in.	6.350 lbs	1.284 ft <sup>3</sup>
Metric	17.5 cm	58.2 cm	28.4 cm	59.7 cm	30.0 cm	20.3 cm	2.880 kgs	0.036 m <sup>3</sup>



BUNN® reserves the right to change specifications and product design without notice. Such revisions do not entitle the buyer to corresponding changes, improvements, additions or replacements for previously purchased equipment. For most current specifications and other info visit [bunn.com](http://bunn.com).

Last Updated: 02/27/2023

## Related Products & Accessories:UNIV-3 APR(35728.0002)



AIRPOT, 2.5L GL PB  
SINGLE PK

Product #: 13041.0001



AIRPOT, 2.5L GL PB 6/  
CASE

Product #: 13041.0101



AIRPOT, 2.2L GL PB  
SINGLE PK

Product #: 28696.0002



AIRPOT, 2.2L GL PB 6/  
CASE

Product #: 28696.0006



AIRPOT, 2.5L SST LA  
SINGLE PK

Product #: 32125.0000



AIRPOT, 2.5L SST LA 6/  
CASE

Product #: 32125.0100



AIRPOT, 3.0L SST LA  
SINGLE PK

Product #: 32130.0000



AIRPOT, 3.0L SST LA 6/  
CASE

Product #: 32130.0100



AIRPOT, 2.2L GL LA 6/  
CASE

Product #: 32700.0000



AIRPOT, 3.8L SST LA  
SINGLE PK

Product #: 36725.0000



AIRPOT, 3.8L SST LA 6/  
CASE

Product #: 36725.0100



PITCHER, SST 1.9L TALL-  
SNGL PK

Product #: 39430.0000



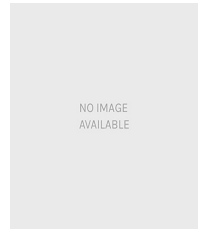
PITCHER, SST 1.9L  
TALL-6/CASE

Product #: 39430.0100



AIRPOT, 2.2L SST LA  
SINGLE PK

Product #: 44311.0000



AIRPOT, 2.2L SST LA 6/  
CASE

Product #: 44311.0100



BUNN® reserves the right to change specifications and product design without notice. Such revisions do not entitle the buyer to corresponding changes, improvements, additions or replacements for previously purchased equipment. For most current specifications and other info visit [bunn.com](http://bunn.com).

Last Updated:  
02/27/2023

# Model Compatibility: UNIV-3 APR(35728.0002)

\*Serving and Holding selections are currently unavailable. Please contact your sales representative to find out more information.\*



BUNN® reserves the right to change specifications and product design without notice. Such revisions do not entitle the buyer to corresponding changes, improvements, additions or replacements for previously purchased equipment. For most current specifications and other info visit [bunn.com](http://bunn.com).

Last Updated:  
02/27/2023