

UNIV-2 APR

Height: 6.9" Width: 14.9" Depth: 11.2"
(17.5cm) (37.8cm) (28.4cm)

•

Feature points are currently unavailable.



Agency:

Specifications

Product #: 35728.0001

Finish: Black

Additional Features

2 Lower

Holding Capacity

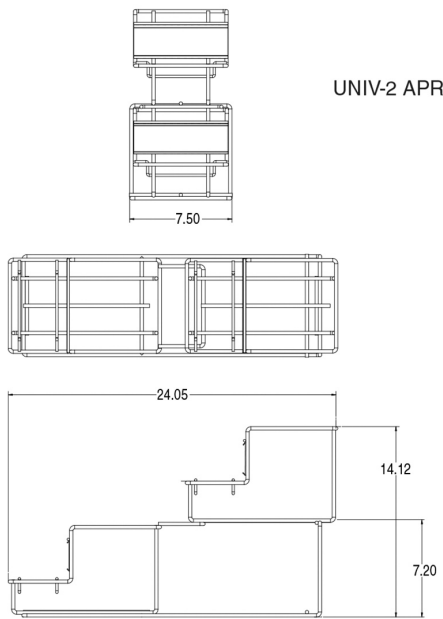
English	Metric
-	-

 WARNING:

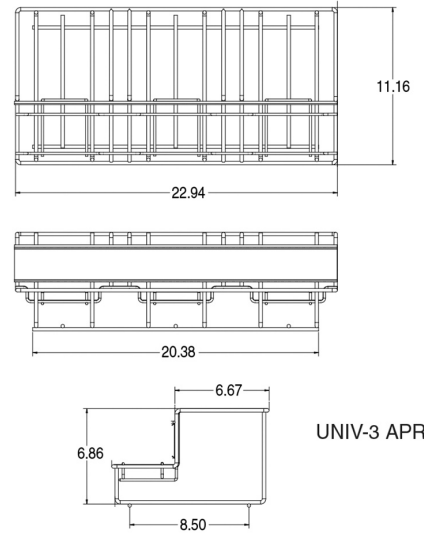
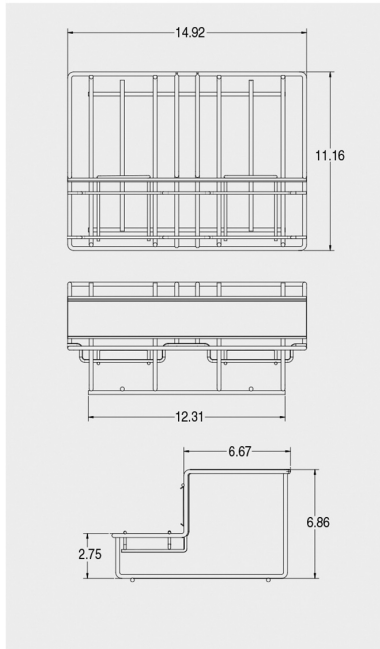


BUNN® reserves the right to change specifications and product design without notice. Such revisions do not entitle the buyer to corresponding changes, improvements, additions or replacements for previously purchased equipment. For most current specifications and other info visit bunn.com.

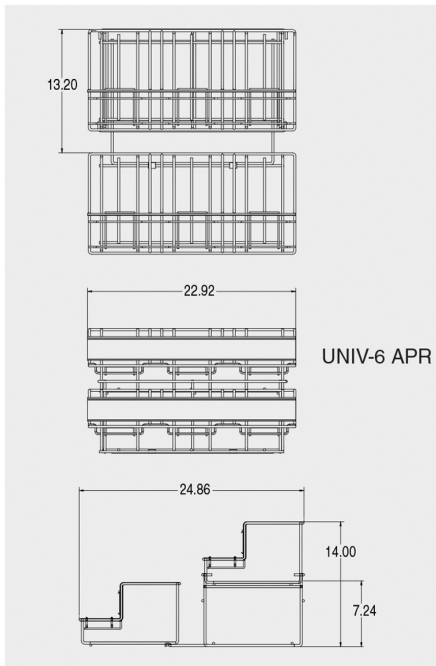
Last Updated:
05/03/2023



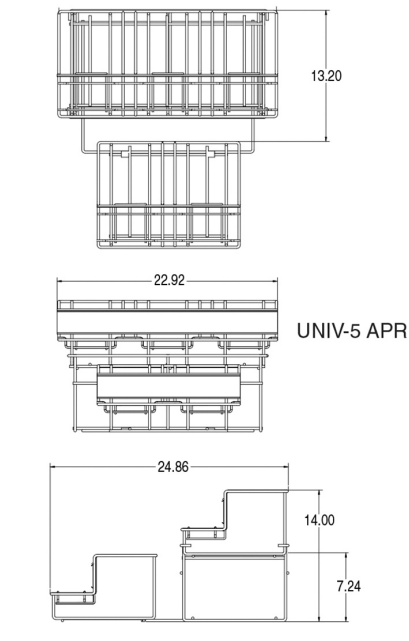
UNIV-2 APR



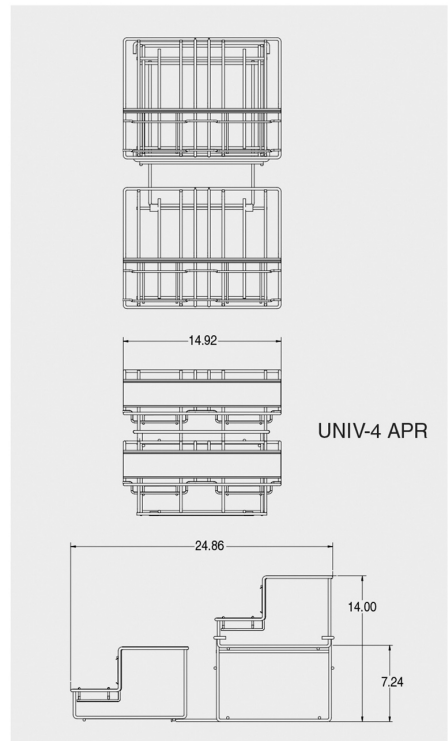
UNIV-3 APR



UNIV-6 APR



UNIV-5 APR



UNIV-4 APR

	Unit			Shipping				
	Height	Width	Depth	Height	Width	Depth	Weight	Volume
English	6.9 in.	14.9 in.	11.2 in.	15.8 in.	12.0 in.	8.0 in.	4.400 lbs	0.878 ft ³
Metric	17.5 cm	37.8 cm	28.4 cm	40.1 cm	30.5 cm	20.3 cm	1.996 kgs	0.025 m ³



BUNN® reserves the right to change specifications and product design without notice. Such revisions do not entitle the buyer to corresponding changes, improvements, additions or replacements for previously purchased equipment. For most current specifications and other info visit bunn.com.

Last Updated:
05/03/2023

Related Products & Accessories:UNIV-2 APR(35728.0001)



AIRPOT, 2.5L GL PB
SINGLE PK

Product #: 13041.0001



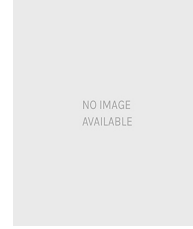
AIRPOT, 2.5L GL PB 6/
CASE

Product #: 13041.0101



AIRPOT, 2.2L GL PB
SINGLE PK

Product #: 28696.0002



AIRPOT, 2.2L GL PB 6/
CASE

Product #: 28696.0006



AIRPOT, 2.5L SST LA
SINGLE PK

Product #: 32125.0000



AIRPOT, 2.5L SST LA 6/
CASE

Product #: 32125.0100



AIRPOT, 3.0L SST LA
SINGLE PK

Product #: 32130.0000



AIRPOT, 3.0L SST LA 6/
CASE

Product #: 32130.0100



AIRPOT, 2.2L GL LA 6/
CASE

Product #: 32700.0000



AIRPOT, 3.8L SST LA
SINGLE PK

Product #: 36725.0000



AIRPOT, 3.8L SST LA 6/
CASE

Product #: 36725.0100



PITCHER, SST 1.9L TALL-
SNGL PK

Product #: 39430.0000



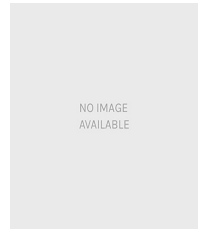
PITCHER, SST 1.9L
TALL-6/CASE

Product #: 39430.0100



AIRPOT, 2.2L SST LA
SINGLE PK

Product #: 44311.0000



AIRPOT, 2.2L SST LA 6/
CASE

Product #: 44311.0100



BUNN® reserves the right to change specifications and product design without notice. Such revisions do not entitle the buyer to corresponding changes, improvements, additions or replacements for previously purchased equipment. For most current specifications and other info visit bunn.com.

Last Updated:
05/03/2023

Model Compatibility: UNIV-2 APR(35728.0001)

Serving and Holding selections are currently unavailable. Please contact your sales representative to find out more information.



BUNN® reserves the right to change specifications and product design without notice. Such revisions do not entitle the buyer to corresponding changes, improvements, additions or replacements for previously purchased equipment. For most current specifications and other info visit bunn.com.

Last Updated:
05/03/2023