

VPR-TC

Height: 21.4" Width: 8.7" Depth: 15.9"
(54.4cm) (22.1cm) (40.4cm)



- Accommodates 1.9 to 3L airpots
- Accommodates thermal carafe up to 8.5" (21.6 cm) tall
- Internal components are constructed from stainless steel
- Just pour cold water in top and coffee brews immediately
- Pourover brewer requires no plumbing – completely portable
- SplashGard® funnel deflects hot liquids away from the hand
- Use in quick turn environments where high quality coffee is continuously refreshed
- Servers not included unless otherwise noted

Server(s) sold separately

Agency:

Specifications

Product #: 33200.6011

Water Access: Not Plumbed

Finish: Black

Funnel: Black Plastic

Electrical & Capacity

Volts*	Amps	Watts	Cord Attached	Plug Type	8oz cups/hr 236ml cups/hr	Input H ₂ O Temp.	Phase	# Wires plus Ground	Hertz
-	-	-	-	-	61	60°F (15.5°C)	-	-	-

*When a BUNN is machine rated 120/208-240V, 120/208V or 120/240V, the higher voltage is the supply voltage needed to power the machine. The 120V is there to supply power to some components rated 120V in the machine, but it is not the supply voltage and would not power the machine if the machine is marked with the before mentioned ratings.

Additional Features

Plumbing Requirements

PSI	kPa	Fitting Supplied	Water Flow Required (GPM)
-	-	-	-

CAD Drawings

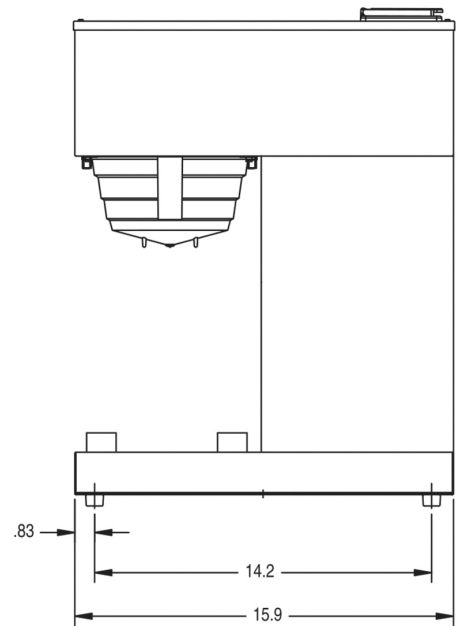
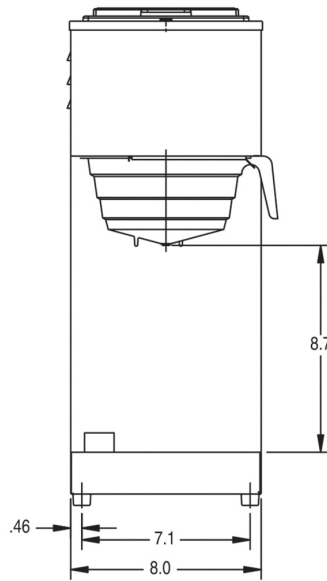
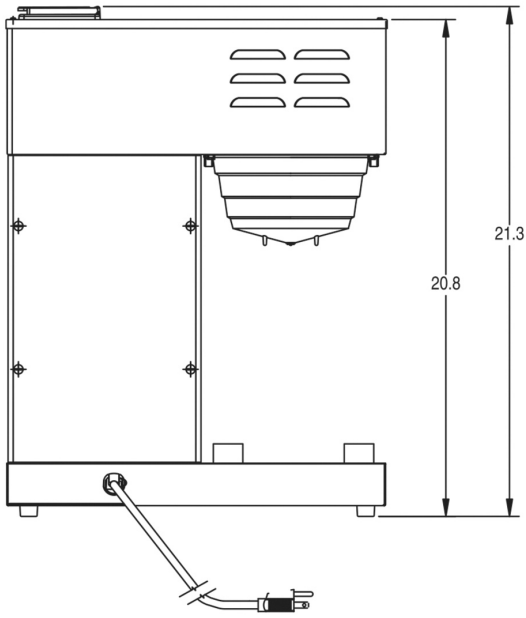
2D	Revit	KLC
●		

WARNING:



BUNN® reserves the right to change specifications and product design without notice. Such revisions do not entitle the buyer to corresponding changes, improvements, additions or replacements for previously purchased equipment. For most current specifications and other info visit bunn.com.

Last Updated:
12/15/2022



	Unit			Shipping				
	Height	Width	Depth	Height	Width	Depth	Weight	Volume
English	21.4 in.	8.7 in.	15.9 in.	22.9 in.	12.0 in.	19.2 in.	-	3.065 ft ³
Metric	54.4 cm	22.1 cm	40.4 cm	58.3 cm	30.5 cm	48.9 cm	-	0.087 m ³



BUNN® reserves the right to change specifications and product design without notice. Such revisions do not entitle the buyer to corresponding changes, improvements, additions or replacements for previously purchased equipment. For most current specifications and other info visit bunn.com.

Last Updated:
12/15/2022

Related Products & Accessories:VPR-TC(33200.6011)



FUNNEL W/DECAL,PPK
NAR BLK(SM)

Product #: 02774.0011



FUNNEL W/DECAL,PPK
NAR BLK(LG)

Product #: 04274.0012



FILTERS,REGULAR1M
500/2 50/CL

Product #: 20115.0000



FILTERS,REG/1M

Product #: 20115.6000



FUNNEL ASSY, SST-BLK
HDL(7.12)

Product #: 20216.0000



FUNNEL ASSY, SST-PP
BLK HNDL

Product #: 29151.0000



FUNNEL ASSY,SST-PP
ORANGE HDL

Product #: 29151.0001



BUNN® reserves the right to change specifications and product design without notice. Such revisions do not entitle the buyer to corresponding changes, improvements, additions or replacements for previously purchased equipment. For most current specifications and other info visit bunn.com.

Last Updated:
12/15/2022

Serving & Holding Options: VPR-TC(33200.6011)



ACC, 1.9L THERMAL
CARAFE SST

Product #: 18022.6002



THERMAL CARAFE, BLK
1.9L 12PK

Product #: 36029.0000



THERMAL CARAFE, BLK
1.83 L 1PK

Product #: 36029.0001



THERMAL CARAFE, ORN
1.9L 12PK

Product #: 36252.0000



THERMAL CARAFE, ORN
1.9L 1PK

Product #: 36252.0001



CARAFE, SST 1.9L SHRT
BLK 1

Product #: 40163.0000



BUNN® reserves the right to change specifications and product design without notice. Such revisions do not entitle the buyer to corresponding changes, improvements, additions or replacements for previously purchased equipment. For most current specifications and other info visit bunn.com.

Last Updated:
12/15/2022